

JBL

JBL® CONTROL® SERIES

JBL CONTROL NOW™
JBL CONTROL NOW™ AW

OWNER'S GUIDE



TABLE OF CONTENTS

| | |
|--|----|
| UNPACKING THE SPEAKERS | 2 |
| PLACEMENT..... | 3 |
| WALL SURFACE-MOUNTING | 4 |
| WALL CORNER-MOUNTING | 6 |
| WALL/CEILING CORNER-MOUNTING | 8 |
| HALF-ROUND WALL-MOUNTING..... | 10 |
| 3/4-ROUND WALL-MOUNTING..... | 14 |
| STAND-MOUNTING | 17 |
| FOUR-SPEAKER-ARRAY INSTALLATION..... | 18 |
| UNPACKING THE BRACKET AND CABLE KIT..... | 18 |
| MAINTENANCE AND SERVICE..... | 27 |
| SPECIFICATIONS..... | 28 |

JBL CONTROL NOW™ LOUDSPEAKERS

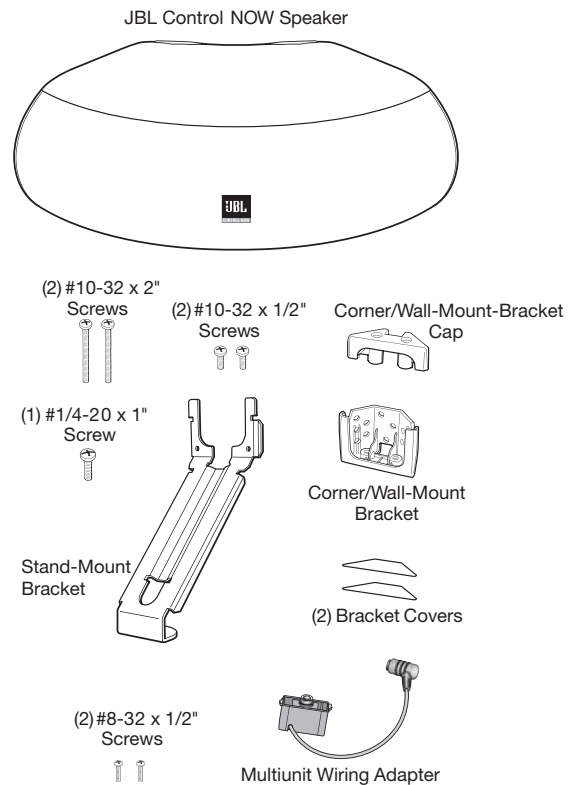
For more than 60 years, we have been providing JBL® audio equipment for top concert halls, recording studios and movie theaters around the world, becoming the hands-down choice of leading recording artists and sound engineers. With JBL Control NOW™ loudspeakers, innovative technologies such as titanium-laminate dome tweeters, PolyPlas™ transducer reinforcement and a patented, controlled-directivity Bi-Radial® horn are available to you.

JBL Control NOW speakers are unique in their ability to deliver excellent performance over an extremely wide listening area. Therefore, the conventional placement guidelines outlined below can often be relaxed somewhat to offer you the flexibility of placing the speakers where they best integrate into your living environment, without sacrificing performance.

UNPACKING THE SPEAKERS

If you suspect damage from transit, report it immediately to your dealer. Keep the shipping carton and packing materials for future use.

Included:



PLACEMENT

JBL Control NOW speakers are perhaps the most flexible and versatile loudspeakers ever developed. There are numerous mounting options. The JBL Control NOW speaker can be wall-mounted or corner-mounted, sit on a shelf or be used with floor stands. Two, three or four speakers can be joined together to create loudspeaker solutions for virtually any application.

- Use single units as shelf, stand- or wall-mounted speakers in traditional stereo or home theater applications.
- Join two speakers together to form a visually striking array in single-channel applications or as a single-point stereo or surround speaker such as rear surround left and rear surround right.
- Connect three speakers around an outer corner and send full-range sound throughout two adjacent rooms.
- Suspend four JBL Control NOW speakers from the ceiling, using standard ceiling-fan hardware and the optional pole-mount bracket (not included). Configure each four-speaker array for use as a single-channel or single-point stereo.

This owner's guide will cover the installation and wiring procedures for each mounting option. Simply decide how you will mount and use the speakers, and then follow the instructions for your specific application.

Please note that while the JBL Control NOW AW speaker is an all-weather outdoor loudspeaker, it is not waterproof. The speaker should not be submerged or directly exposed to water, ice, snow or sustained moisture. JBL Control NOW speakers are designed for indoor use only.

STEREO

Before deciding where to place your speakers, survey your room and think about placement. Keep the following points in mind, and use Figure 1 as a guide:

- For best results, place the speakers 6'–8' (1.5m–2.5m) apart.
- Position each speaker so that the tweeter is directed toward the listening area.
- Generally, bass output will increase as the speaker is moved closer to a wall or corner.
- Refer to the "Home Theater" section at right if you also plan to use the speakers for home theater reproduction.

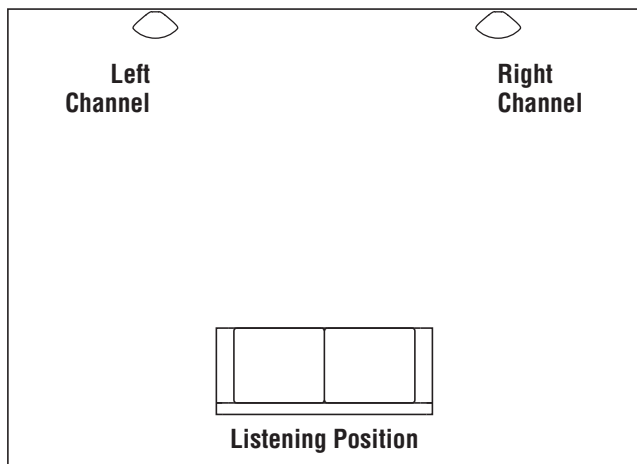


Figure 1. Experiment with speaker placement to obtain the best bass level and stereo imaging in your room.

HOME THEATER

For front-channel use, place one speaker on the left and another on the right, along either side of the television monitor. Since the speakers are magnetically shielded, you can place them near a CRT TV without worrying about the field distorting the TV picture.

For surround-channel use, place speakers in corners, on the wall, on bookshelves or on stands alongside the listening position. Final placement depends on room acoustics, availability of space and your listening preference.

In 6- or 7-channel configurations, place the rear channel(s) behind the listening position, as shown in Figure 2.

NOTE: A JBL powered subwoofer will add impact and realism to both music and film soundtracks. Contact your JBL dealer for recommendations on subwoofer models for your application.

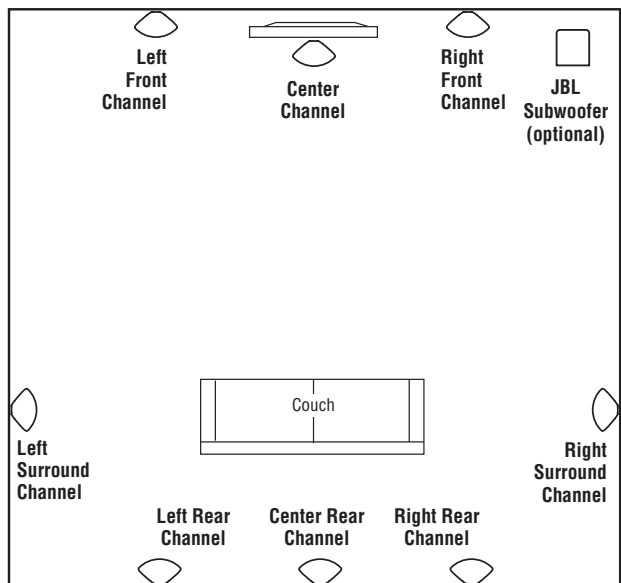


Figure 2. This overhead view shows a typical home theater plan. Left/right rear channels are for a 7-channel system. The center rear channel is for a 6-channel system.

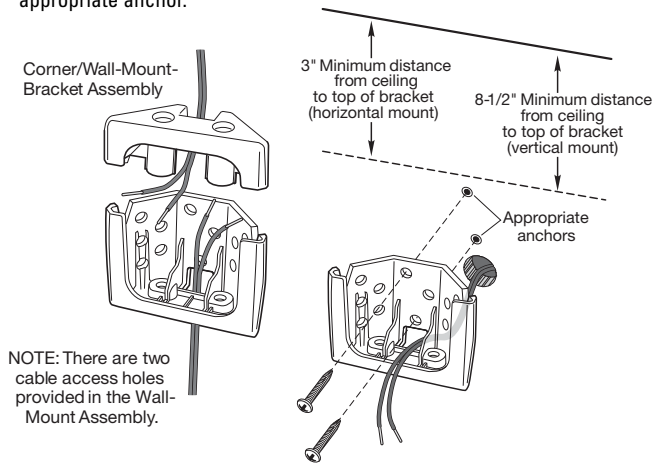
WALL SURFACE-MOUNTING

When deciding upon a location for the JBL Control NOW speaker, take care **NOT** to install the mounting bracket closer than 3" (horizontal) and 8-1/2" (vertical) to the ceiling. Any closer than the minimum measurements will not allow the room needed to position and slide the JBL Control NOW speaker into the mounting bracket.

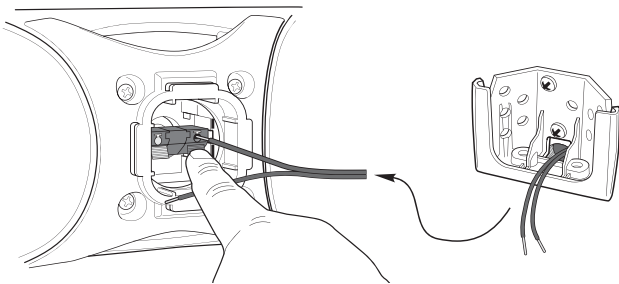
CAUTION

The customer is responsible for proper selection and use of mounting hardware (available through hardware stores), to properly and safely wall-mount the speakers. The JBL Control NOW speaker was designed to be easily installed. However, if you are unable to clearly and fully understand and follow the instructions in this manual, or if you are unsure of your ability to properly install these loudspeakers, please contact your dealer or a qualified installer. Please do not use any power tools during installation. Power tools can exert excessive and unnecessary torque which, in turn, can damage fasteners or other parts and accessories, reducing their strength and causing possible failure of the fastener or part. A failed or damaged fastener or part may not be able to perform as designed, and may lead to an unsafe installation.

1. Run the wiring to the location desired for mounting the JBL Control NOW speaker.
2. Using a level, secure the mounting bracket to the wall. Be sure to use an appropriate anchor.



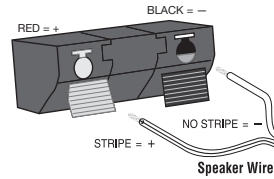
3. Connect the wires to the JBL Control NOW speaker.



IMPORTANT: Make sure all equipment is turned off before making any connections. For speaker connections, use a high-quality speaker wire with polarity coding. The side of the wire with a ridge or other coding is usually considered positive polarity (i.e., +).

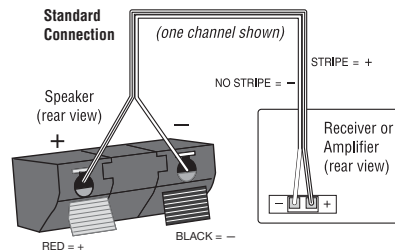
NOTE: If desired, consult your local JBL dealer about speaker wire and connection options.

1. Strip 1/4" of wire
2. Press and push connector
3. Insert bare end; release push connector



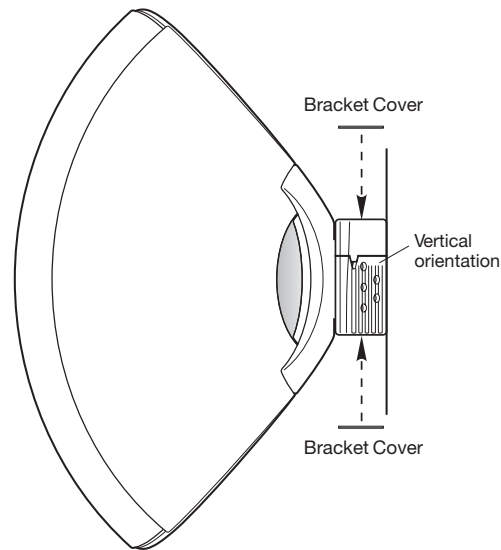
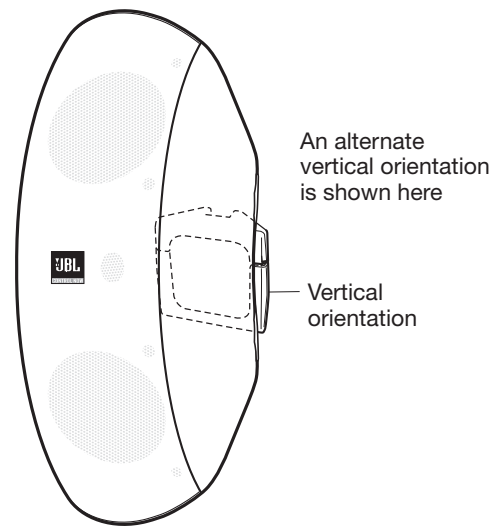
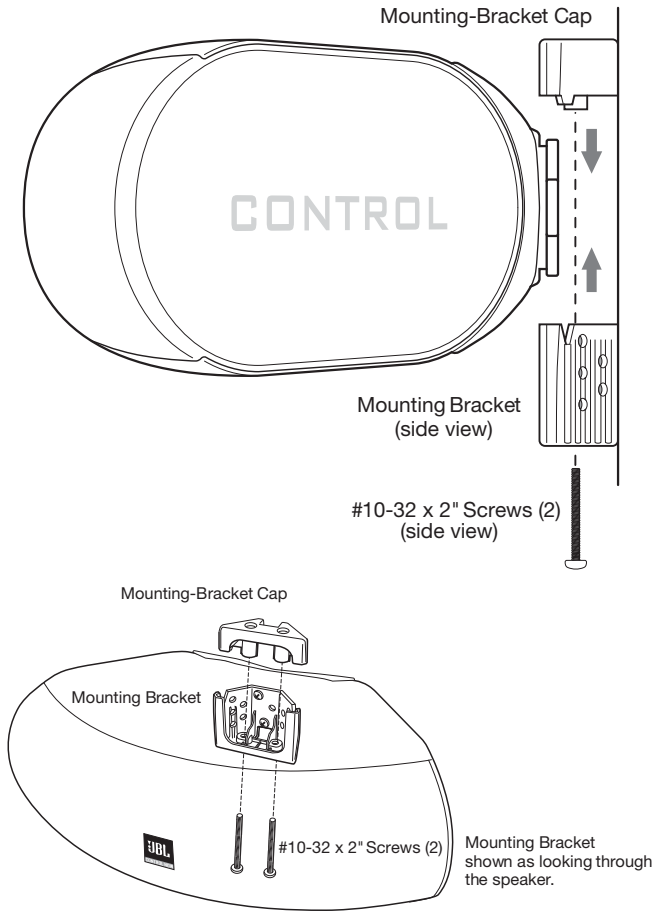
The speakers have coded terminals that accept a variety of wire connectors. The most common connection is shown in the diagram to the left. To ensure proper polarity, connect each + terminal on the back of the amplifier or receiver to the respective + (red) terminal on each speaker, as shown. Connect the - (black) terminals in a similar way. See the owner's guides that were included with your amplifier, receiver and television to confirm connection procedures.

IMPORTANT: Do not reverse polarities (i.e., + to - or - to +) when making connections. Doing so will cause poor imaging and diminished bass response.

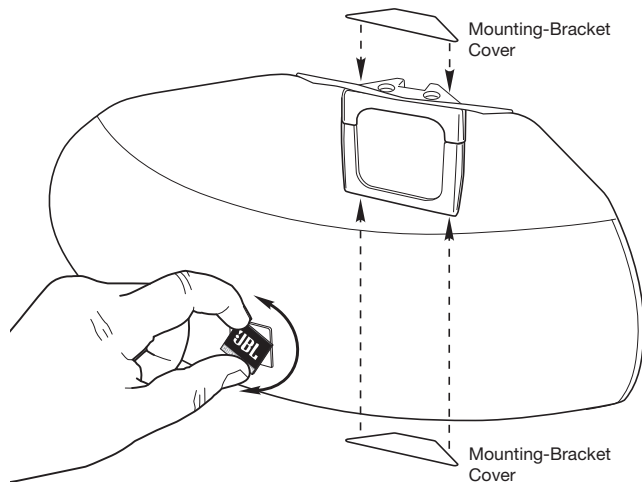


Wiring diagram shows polarity connections for one channel of a stereo or home theater system.

4. The mounting bracket is designed to trap the flange of the JBL Control NOW speaker by securing the mounting-bracket cap with two screws through the bottom of the mounting bracket. Rest the JBL Control NOW speaker's rear flange in the mounting bracket, as shown. This will support the weight of the speaker. Slide the mounting-bracket cap over the assembly. Secure the mounting-bracket cap by inserting two #10-32 x 2" screws (provided) in the bottom of the mounting bracket and tightening.



5. To orient the JBL logo into the correct position, pull the JBL logo slightly outward from the speaker grille and rotate. The JBL logo is held in place by a spring. Peel the adhesive cover off the mounting-bracket cover and attach to the top and bottom of the mounting assembly.



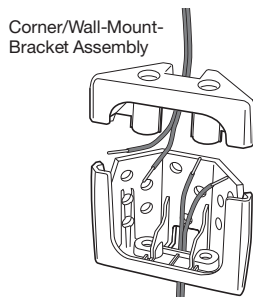
Regardless of whether you choose a vertical or horizontal orientation, when mounting the JBL Control NOW speaker to a single wall surface, you should always install the wall-mounting bracket in a vertical orientation.

WALL CORNER-MOUNTING

CAUTION

The customer is responsible for proper selection and use of mounting hardware (available through hardware stores), to properly and safely wall-mount the speakers. The JBL Control NOW speaker was designed to be easily installed. However, if you are unable to clearly and fully understand and follow the instructions in this manual, or if you are unsure of your ability to properly install these loudspeakers, please contact your dealer or a qualified installer. Please do not use any power tools during installation. Power tools can exert excessive and unnecessary torque which, in turn, can damage fasteners or other parts and accessories, reducing their strength and causing possible failure of the fastener or part. A failed or damaged fastener or part may not be able to perform as designed, and may lead to an unsafe installation.

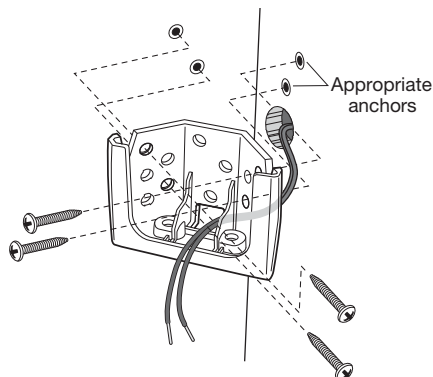
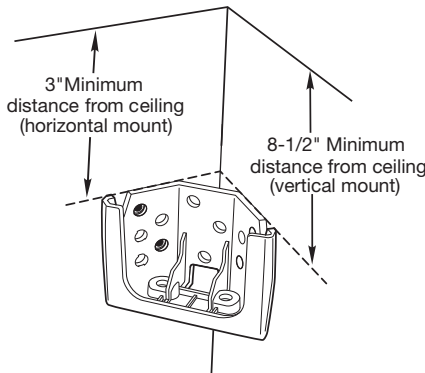
When deciding upon a location for the JBL Control NOW speaker, take care **NOT** to install the mounting bracket closer than 3" (horizontal) and 8-1/2" (vertical) to the ceiling. Any closer than the minimum measurements will not allow the room needed to position and slide the JBL Control NOW speaker into the mounting bracket.



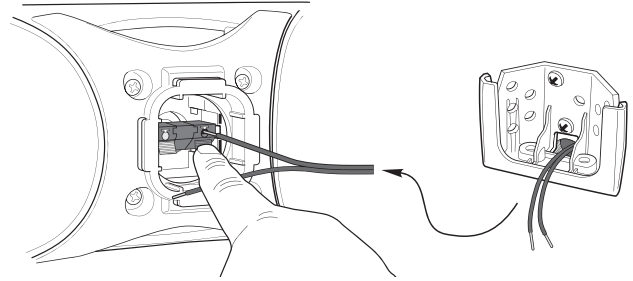
NOTE: There are two cable access holes provided in the Wall-Mount Assembly.

1. Run the wiring to the location desired for mounting the JBL Control NOW speaker.

2. Attach the mounting bracket to the wall. Be sure to use appropriate anchors.



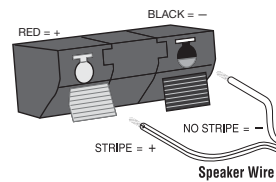
3. Connect the wires to the JBL Control NOW speaker.



IMPORTANT: Make sure all equipment is turned off before making any connections. For speaker connections, use a high-quality speaker wire with polarity coding. The side of the wire with a ridge or other coding is usually considered positive polarity (i.e., +).

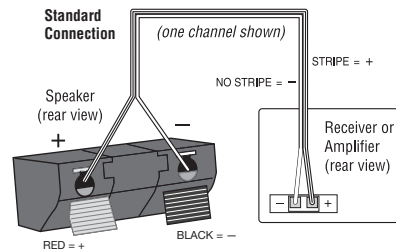
NOTE: If desired, consult your local JBL dealer about speaker wire and connection options.

1. Strip 1/4" of wire
2. Press and push connector
3. Insert bare end; release push connector



The speakers have coded terminals that accept a variety of wire connectors. The most common connection is shown in the diagram to the left. To ensure proper polarity, connect each + terminal on the back of the amplifier or receiver to the respective + (red) terminal on each speaker, as shown. Connect the - (black) terminals in a similar way. See the owner's guides that were included with your amplifier, receiver and television to confirm connection procedures.

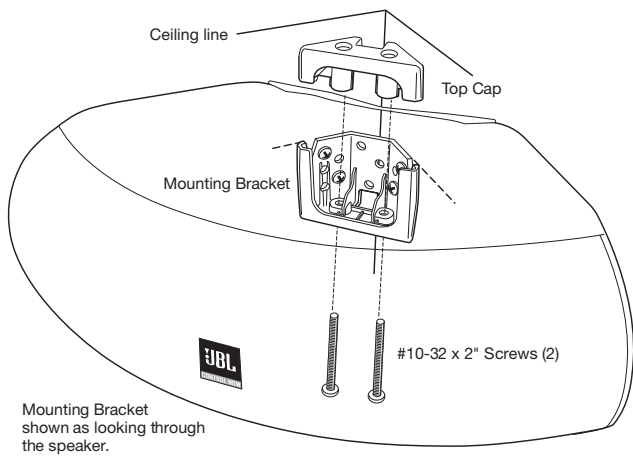
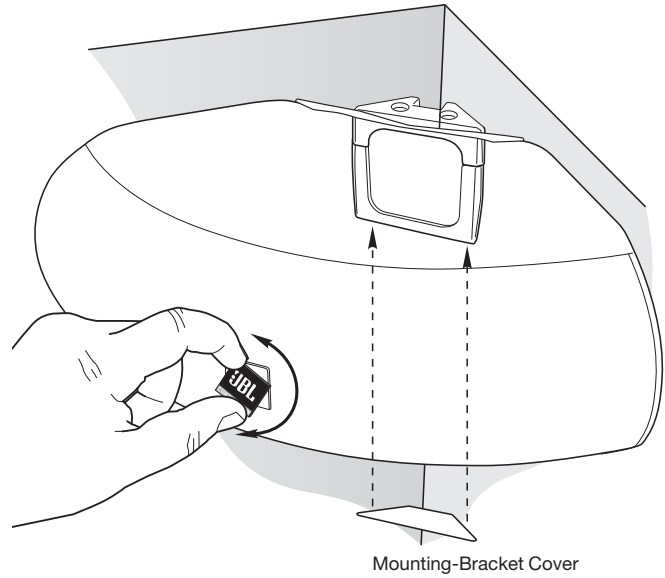
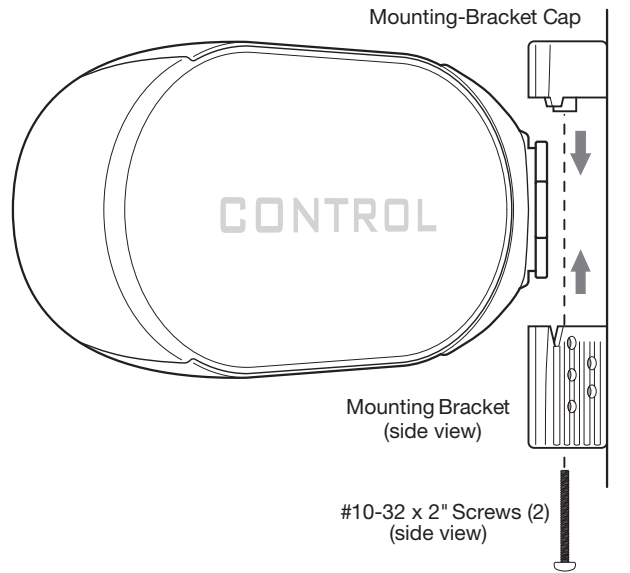
IMPORTANT: Do not reverse polarities (i.e., + to - or - to +) when making connections. Doing so will cause poor imaging and diminished bass response.



Wiring diagram shows polarity connections for one channel of a stereo or home theater system.

4. The mounting bracket is designed to trap the flange of the JBL Control NOW speaker by securing the mounting-bracket cap with two screws through the bottom of the mounting bracket. Rest the JBL Control NOW speaker's rear flange in the mounting bracket, as shown. This will support the weight of the speaker. Now slide the mounting-bracket cap over the assembly. Secure the mounting-bracket cap by inserting two #10-32 x 2" screws (provided) in the bottom of the mounting bracket and tightening.

5. To orient the JBL logo into the correct position, pull the JBL logo slightly outward from the speaker grille and rotate. The JBL logo is held in place by a spring. Peel the adhesive cover off the mounting-bracket cover and attach to bottom of mounting assembly.

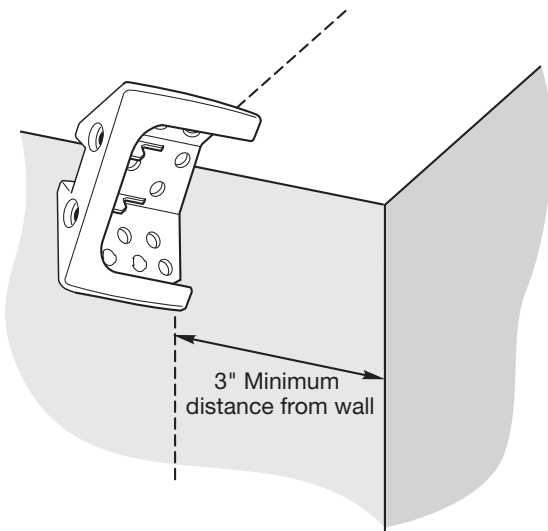


WALL/CEILING CORNER-MOUNTING (VERTICAL MOUNTING ONLY)

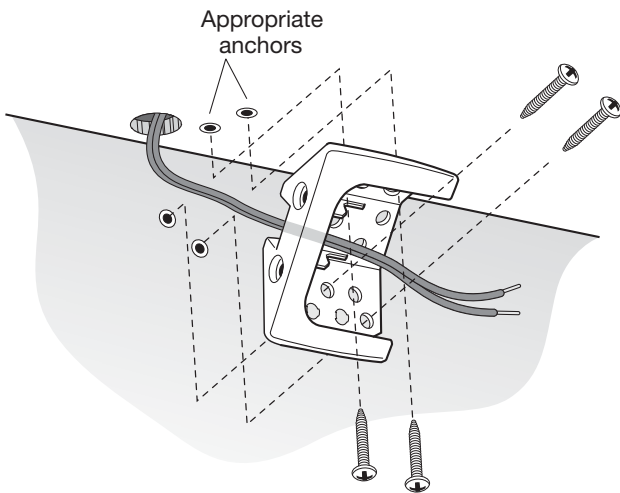
CAUTION

The customer is responsible for proper selection and use of mounting hardware (available through hardware stores), to properly and safely wall-mount the speakers. The JBL Control NOW speaker was designed to be easily installed. However, if you are unable to clearly and fully understand and follow the instructions in this manual, or if you are unsure of your ability to properly install these loudspeakers, please contact your dealer or a qualified installer. Please do not use any power tools during installation. Power tools can exert excessive and unnecessary torque which, in turn, can damage fasteners or other parts and accessories, reducing their strength and causing possible failure of the fastener or part. A failed or damaged fastener or part may not be able to perform as designed, and may lead to an unsafe installation.

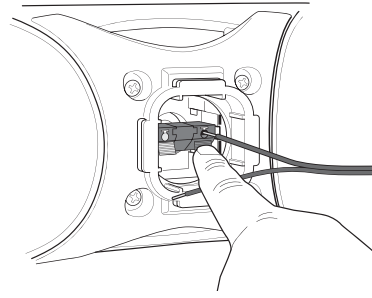
When deciding upon a location for the JBL Control NOW speaker, take care **NOT** to install the mounting bracket closer than 3" to a side wall. Any closer than 3" will not allow the room needed to position and slide the JBL Control NOW speaker into the mounting bracket.



1. Run the wiring to the location desired for mounting the JBL Control NOW speaker.
2. Attach the mounting bracket to the wall. Be sure to use appropriate anchors.



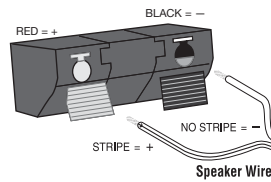
3. Connect the wires to the JBL Control NOW speaker.



IMPORTANT: Make sure all equipment is turned off before making any connections. For speaker connections, use a high-quality speaker wire with polarity coding. The side of the wire with a ridge or other coding is usually considered positive polarity (i.e., +).

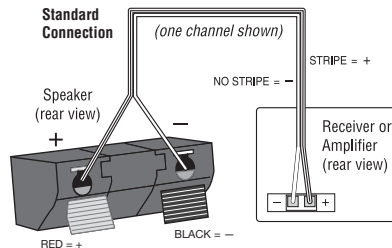
NOTE: If desired, consult your local JBL dealer about speaker wire and connection options.

1. Strip 1/4" of wire
2. Press and push connector
3. Insert bare end; release push connector



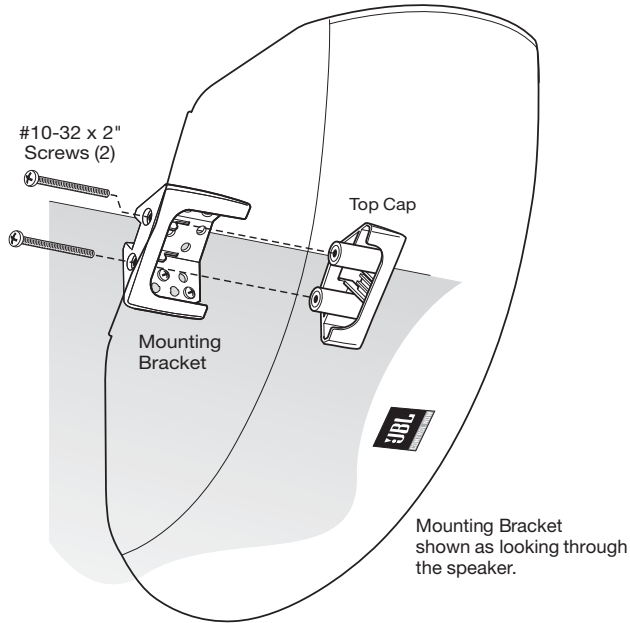
The speakers have coded terminals that accept a variety of wire connectors. The most common connection is shown in the diagram to the left. To ensure proper polarity, connect each + terminal on the back of the amplifier or receiver to the respective + (red) terminal on each speaker, as shown. Connect the - (black) terminals in a similar way. See the owner's guides that were included with your amplifier, receiver and television to confirm connection procedures.

IMPORTANT: Do not reverse polarities (i.e., + to - or - to +) when making connections. Doing so will cause poor imaging and diminished bass response.

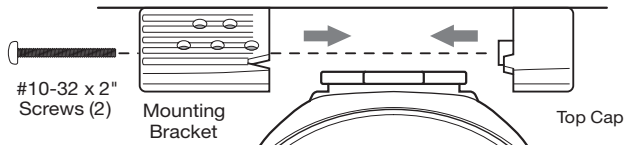
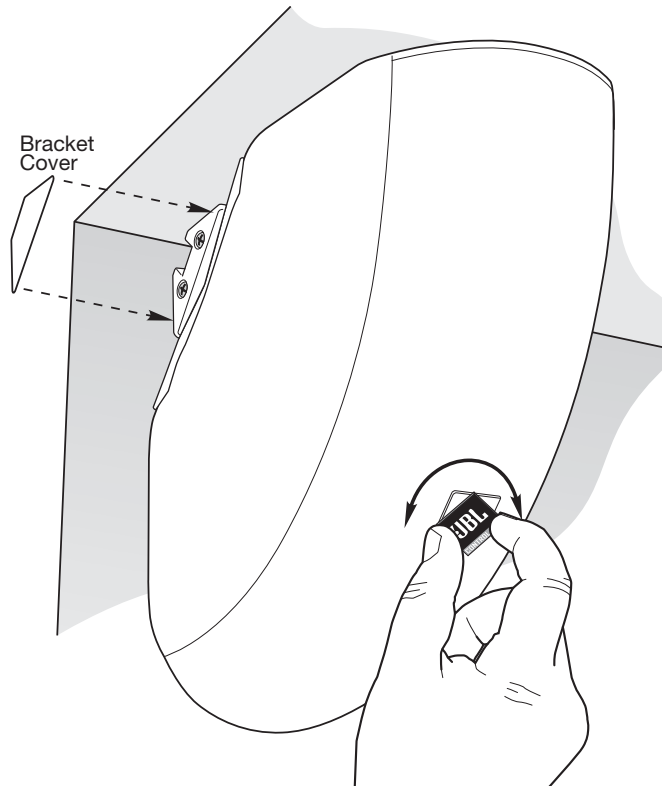


Wiring diagram shows polarity connections for one channel of a stereo or home theater system.

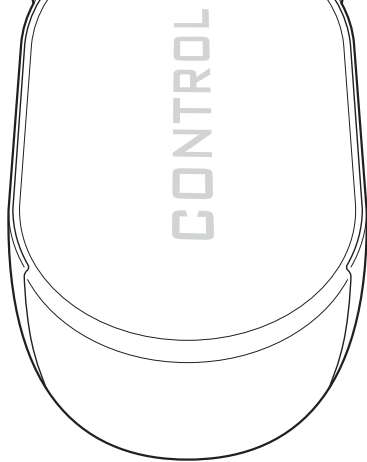
4. The mounting bracket is designed to trap the flange of the JBL Control NOW speaker by securing the mounting-bracket cap with two screws through the side of the mounting bracket. Rest the JBL Control NOW speaker's flange in the mounting bracket, as shown. This will support the weight of the speaker. Now slide the mounting-bracket cap over the assembly. Secure the mounting-bracket cap by inserting two #10-32 x 2" screws (provided) in the side of the mounting bracket and tightening.



5. To orient the JBL logo into the correct position, pull the JBL logo slightly outward from the speaker grille and rotate. The JBL logo is held in place by a spring. Peel the adhesive cover off the mounting-bracket cover and attach to sides of the mounting assembly.



This illustration shows speaker viewed from beneath.



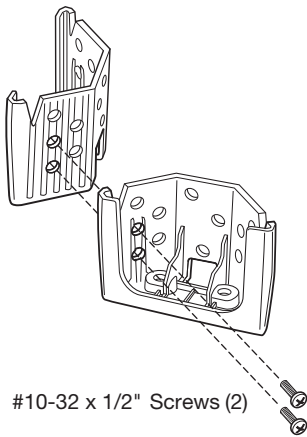
HALF-ROUND WALL-MOUNTING (HORIZONTAL OR VERTICAL)

NOTE: Decide whether you will connect the speakers as a single channel or two separate channels, and follow the appropriate instructions on the following pages.

CONNECT AS A SINGLE CHANNEL

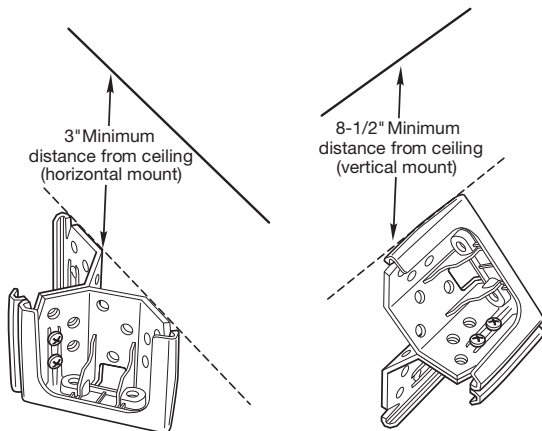
CAUTION

The customer is responsible for proper selection and use of mounting hardware (available through hardware stores), to properly and safely wall-mount the speakers. The JBL Control NOW speaker was designed to be easily installed. However, if you are unable to clearly and fully understand and follow the instructions in this manual, or if you are unsure of your ability to properly install these loudspeakers, please contact your dealer or a qualified installer. Please do not use any power tools during installation. Power tools can exert excessive and unnecessary torque which, in turn, can damage fasteners or other parts and accessories, reducing their strength and causing possible failure of the fastener or part. A failed or damaged fastener or part may not be able to perform as designed, and may lead to an unsafe installation.

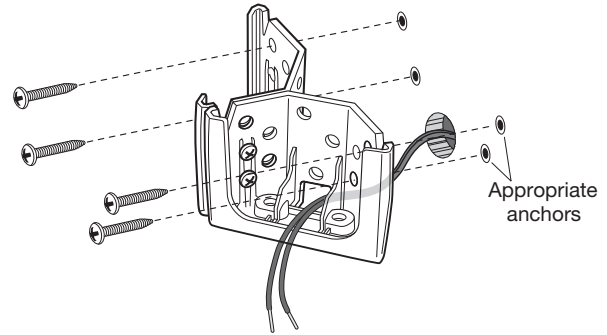


1. Secure two corner/wall-mounting brackets together by using two #10-32 x 1/2" screws provided, as shown. Attach the mounting bracket to the wall.

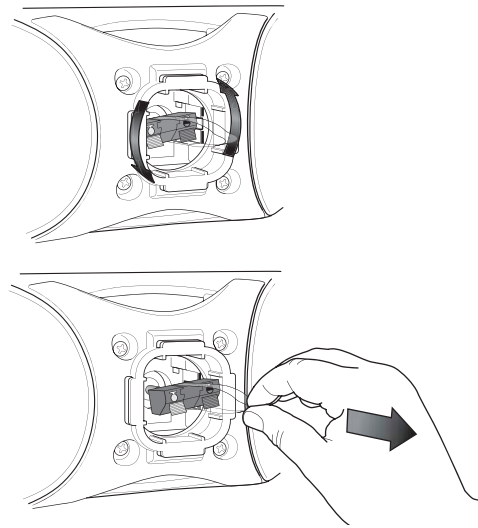
When deciding upon a location for the JBL Control NOW speaker, take care **NOT** to install the mounting bracket closer than 3" (horizontal) and 8-1/2" (vertical) to the ceiling. Any closer than the minimum measurements will not allow the room needed to position and slide the JBL Control NOW speaker into the mounting bracket.



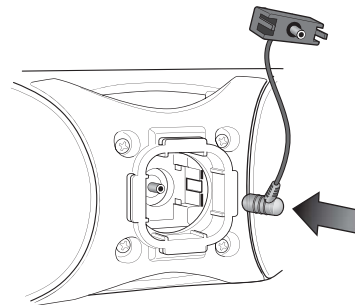
2. Attach the mounting bracket to the wall. Be sure to use appropriate anchors.



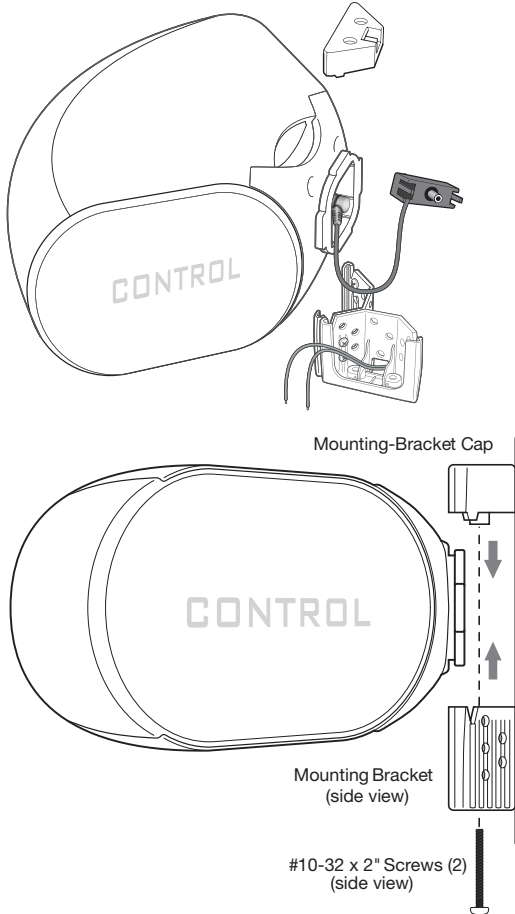
3. Remove the terminal assemblies from the rear of both speakers. The terminal assembly is removed by giving it a slight counterclockwise rotation. Use the transparent plastic strap to pull the assembly out, as shown.



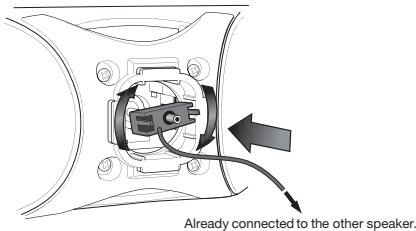
4. Connect the small end of the multiunit wiring adapter to one of the speaker rears, as shown.



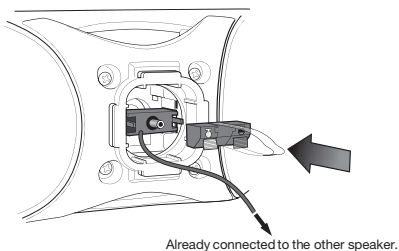
5. The mounting bracket is designed to trap the flange of the JBL Control NOW speaker by securing the mounting-bracket cap with two screws through the bottom of the mounting bracket. Run the loose end of the multiunit wiring adapter through the rear cable-management hole in the mounting bracket, and rest the JBL Control NOW speaker's rear flange in the mounting bracket, as shown. This will support the weight of the speaker. Now slide the mounting-bracket cap over the assembly. Secure the mounting-bracket cap by inserting two #10-32 x 2" screws (provided) in the bottom of the mounting bracket and tightening.



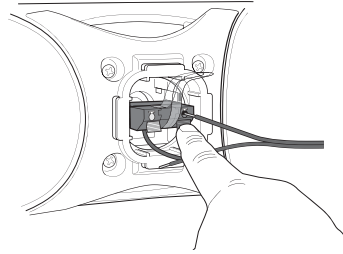
6. Place the large end of the multiunit wiring adapter into the second speaker to be installed. Slide the multiunit wiring adapter into the rear of the speaker at a slight angle and rotate clockwise.



7. Connect the terminal assembly to the back of the multiunit wiring adapter. It will snap securely into place.



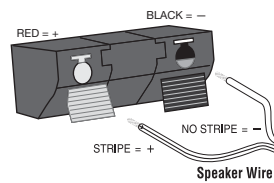
8. Now connect the wires to the terminal assembly.



IMPORTANT: Make sure all equipment is turned off before making any connections. For speaker connections, use a high-quality speaker wire with polarity coding. The side of the wire with a ridge or other coding is usually considered positive polarity (i.e., +).

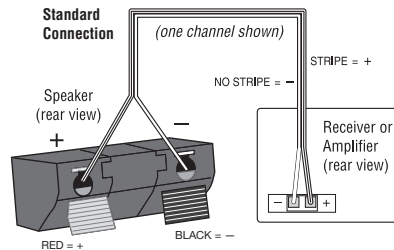
NOTE: If desired, consult your local JBL dealer about speaker wire and connection options.

1. Strip 1/4" of wire
2. Press and push connector
3. Insert bare end; release push connector



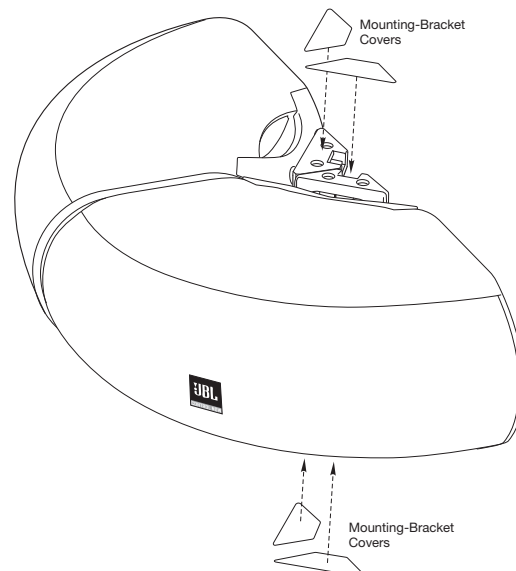
The speakers have coded terminals that accept a variety of wire connectors. The most common connection is shown in the diagram to the left. To ensure proper polarity, connect each + terminal on the back of the amplifier or receiver to the respective + (red) terminal on each speaker, as shown. Connect the - (black) terminals in a similar way. See the owner's guides that were included with your amplifier, receiver and television to confirm connection procedures.

IMPORTANT: Do not reverse polarities (i.e., + to - or - to +) when making connections. Doing so will cause poor imaging and diminished bass response.



Wiring diagram shows polarity connections for one channel of a stereo or home theater system.

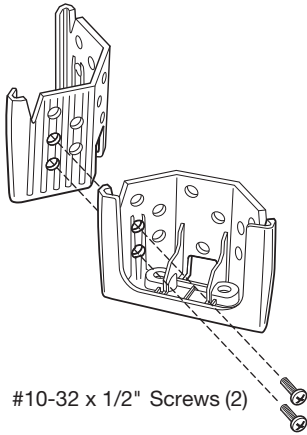
9. To orient the JBL logo into the correct position, pull the JBL logo slightly outward from the speaker grille and rotate. The JBL logo is held in place by a spring. Peel the adhesive cover off the mounting-bracket covers and attach to the top and bottom of the mounting assembly.



CONNECT AS TWO CHANNELS

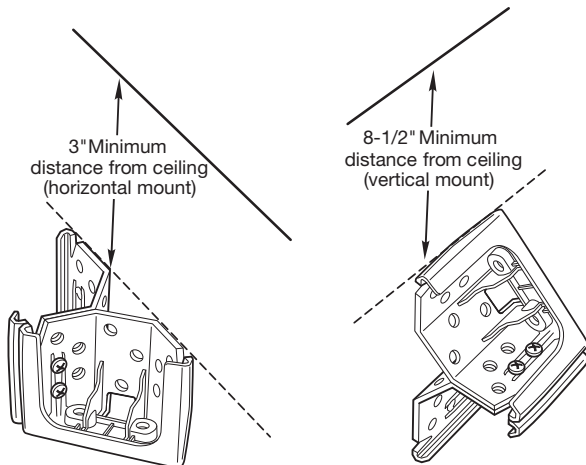
CAUTION

The customer is responsible for proper selection and use of mounting hardware (available through hardware stores), to properly and safely wall-mount the speakers. The JBL Control NOW speaker was designed to be easily installed. However, if you are unable to clearly and fully understand and follow the instructions in this manual, or if you are unsure of your ability to properly install these loudspeakers, please contact your dealer or a qualified installer. Please do not use any power tools during installation. Power tools can exert excessive and unnecessary torque which, in turn, can damage fasteners or other parts and accessories, reducing their strength and causing possible failure of the fastener or part. A failed or damaged fastener or part may not be able to perform as designed, and may lead to an unsafe installation.

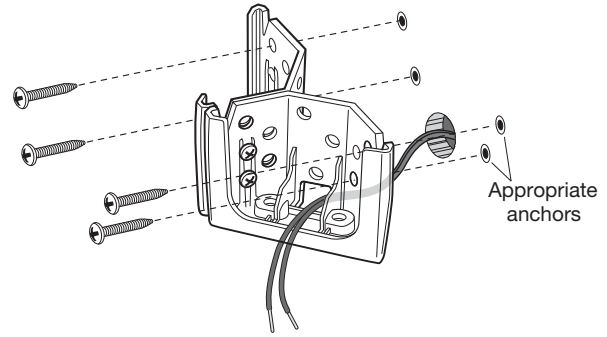


1. Secure two corner/wall-mounting brackets together by using two #10-32 x 1/2" screws provided, as shown. Attach the mounting bracket to the wall.

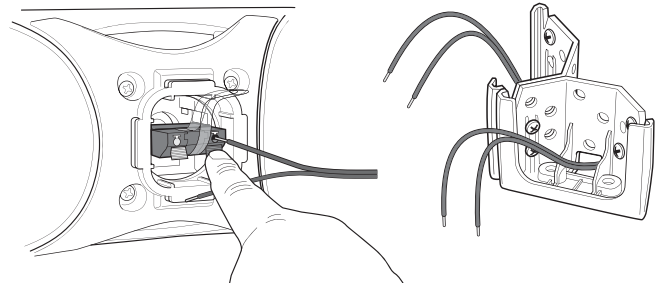
When deciding upon a location for the JBL Control NOW speaker, take care **NOT** to install the mounting bracket closer than 3" (horizontal) and 8-1/2" (vertical) to the ceiling. Any closer than the minimum measurements will not allow the room needed to position and slide the JBL Control NOW speaker into the mounting bracket.



2. Attach the mounting bracket to the wall. Be sure to use appropriate anchors.



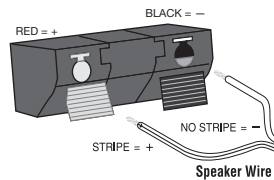
3. Connect the wires to the terminal assembly of each of the JBL Control NOW speakers.



IMPORTANT: Make sure all equipment is turned off before making any connections. For speaker connections, use a high-quality speaker wire with polarity coding. The side of the wire with a ridge or other coding is usually considered positive polarity (i.e., +).

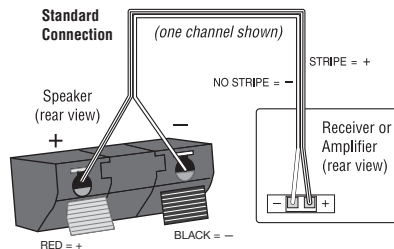
NOTE: If desired, consult your local JBL dealer about speaker wire and connection options.

1. Strip 1/4" of wire
2. Press and push connector
3. Insert bare end; release push connector



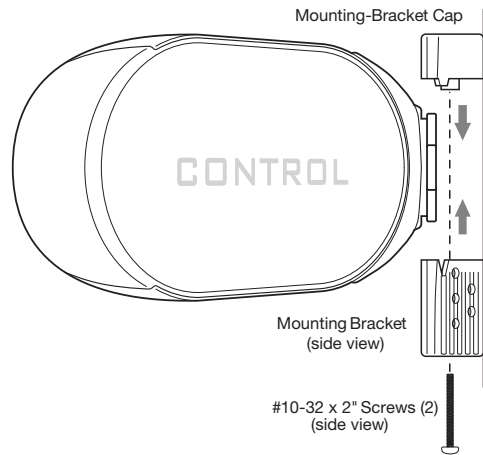
The speakers have coded terminals that accept a variety of wire connectors. The most common connection is shown in the diagram to the left. To ensure proper polarity, connect each + terminal on the back of the amplifier or receiver to the respective + (red) terminal on each speaker, as shown. Connect the - (black) terminals in a similar way. See the owner's guides that were included with your amplifier, receiver and television to confirm connection procedures.

IMPORTANT: Do not reverse polarities (i.e., + to - or - to +) when making connections. Doing so will cause poor imaging and diminished bass response.

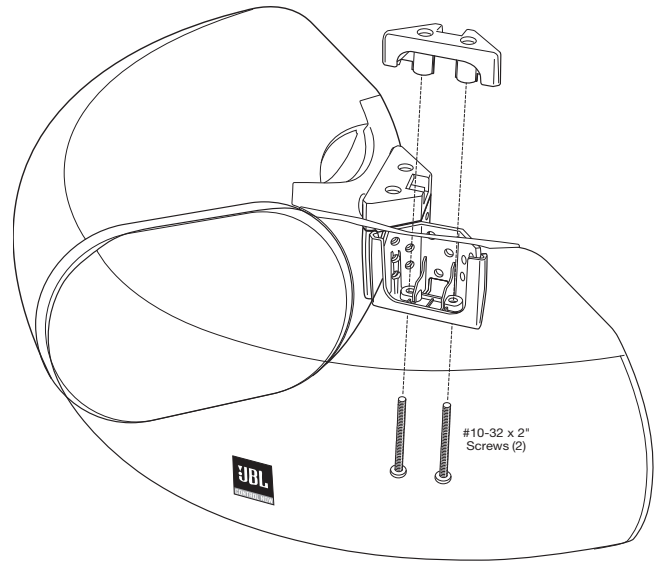


Wiring diagram shows polarity connections for one channel of a stereo or home theater system.

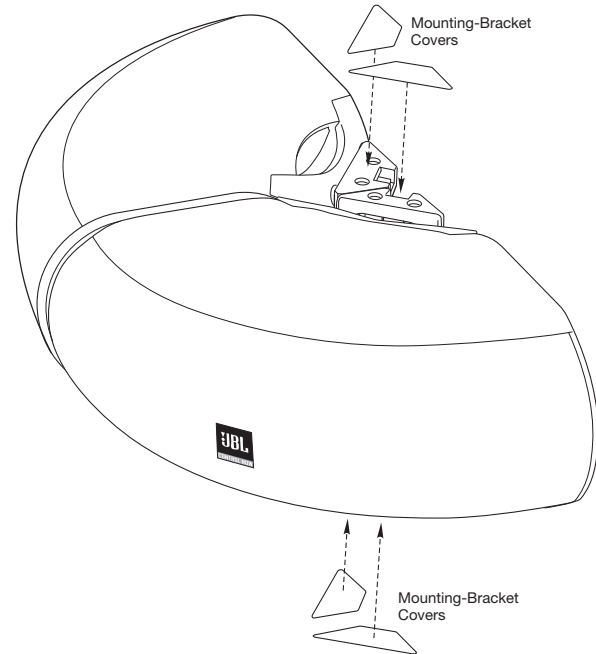
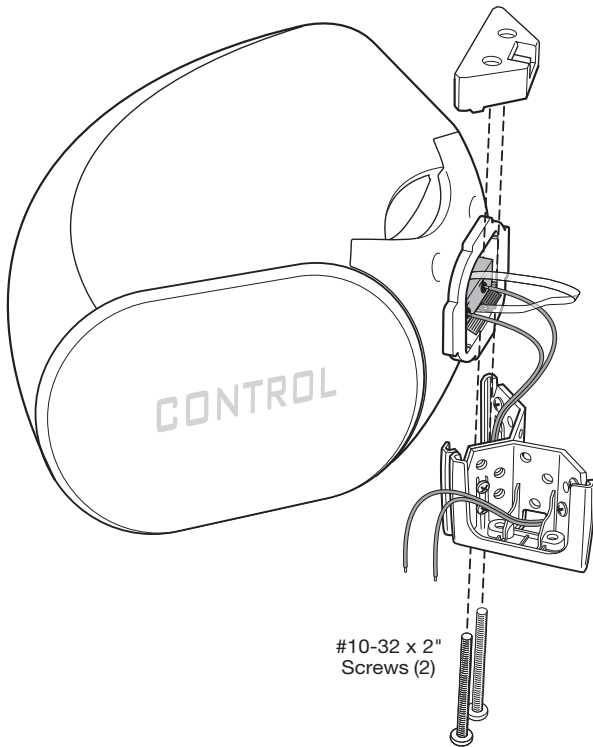
4. The mounting bracket is designed to trap the flange of the JBL Control NOW speaker by securing the mounting bracket cap with two screws through the bottom of the mounting bracket. This will support the weight of the speaker. Now slide the mounting-bracket cap over the assembly. Secure the mounting-bracket cap by inserting two #10-32 x 2" screws (provided) in the bottom of the mounting bracket and tightening. Repeat the process with the remaining speaker.



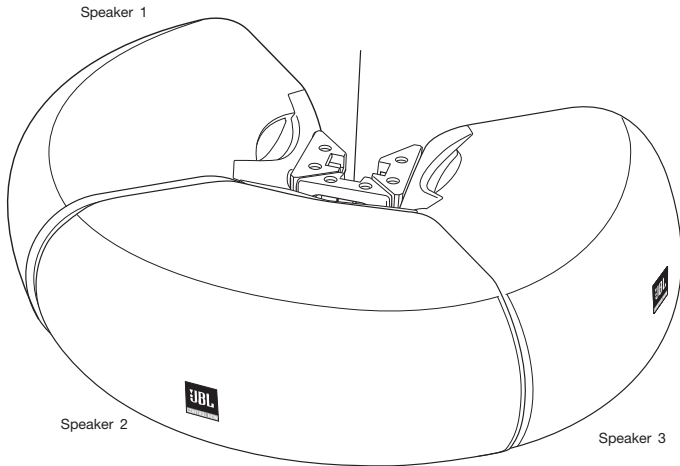
5. Now rest the second JBL Control NOW speaker's rear flange in the mounting bracket, as shown, and complete the process. Secure the mounting-bracket cap with two #10-32 x 2" screws through the bottom of the mounting bracket.



6. To orient the JBL logo into the correct position, pull the JBL logo slightly outward from the speaker grille and rotate. The JBL logo is held in place by a spring. Peel the adhesive cover off the mounting-bracket covers and attach to the top and bottom of the mounting assembly.



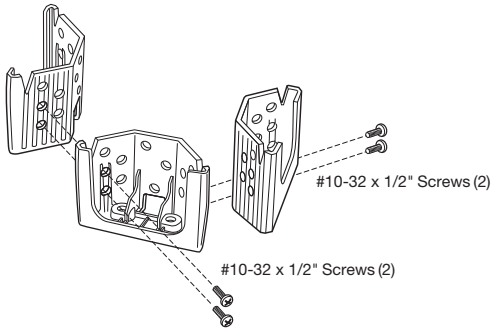
3/4-ROUND WALL-MOUNTING



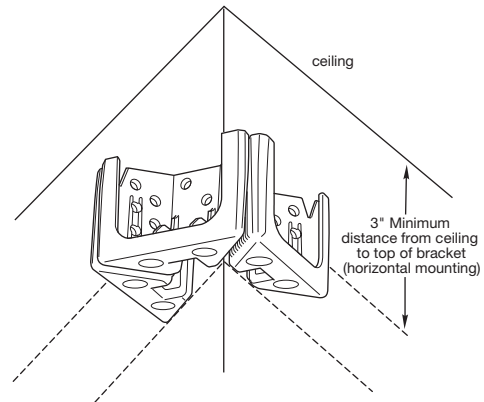
CAUTION

The customer is responsible for proper selection and use of mounting hardware (available through hardware stores), to properly and safely wall-mount the speakers. The JBL Control NOW speaker was designed to be easily installed. However, if you are unable to clearly and fully understand and follow the instructions in this manual, or if you are unsure of your ability to properly install these loudspeakers, please contact your dealer or a qualified installer. Please do not use any power tools during installation. Power tools can exert excessive and unnecessary torque which, in turn, can damage fasteners or other parts and accessories, reducing their strength and causing possible failure of the fastener or part. A failed or damaged fastener or part may not be able to perform as designed, and may lead to an unsafe installation.

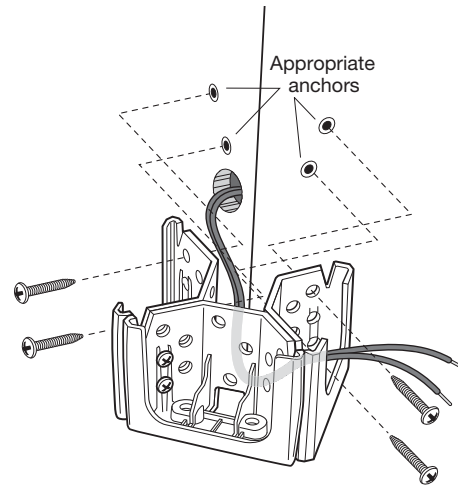
1. Secure three corner/wall-mounting brackets together by using four #10-32 x 1/2" screws provided as shown.



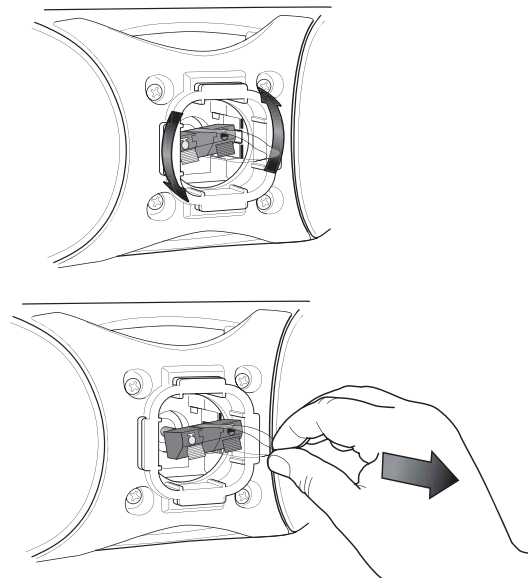
When deciding upon a location for the JBL Control NOW speaker, take care **NOT** to install the mounting bracket closer than 3" to the ceiling. Any closer than 3" will not allow the room needed to position and slide the JBL Control NOW speaker into the mounting bracket.



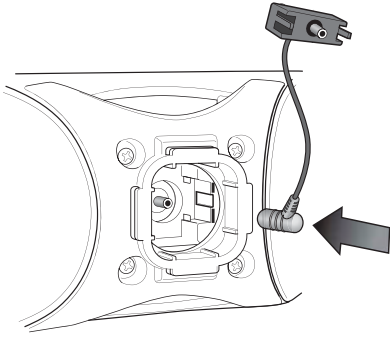
2. Attach the mounting bracket to the wall. Be sure to use appropriate anchors.



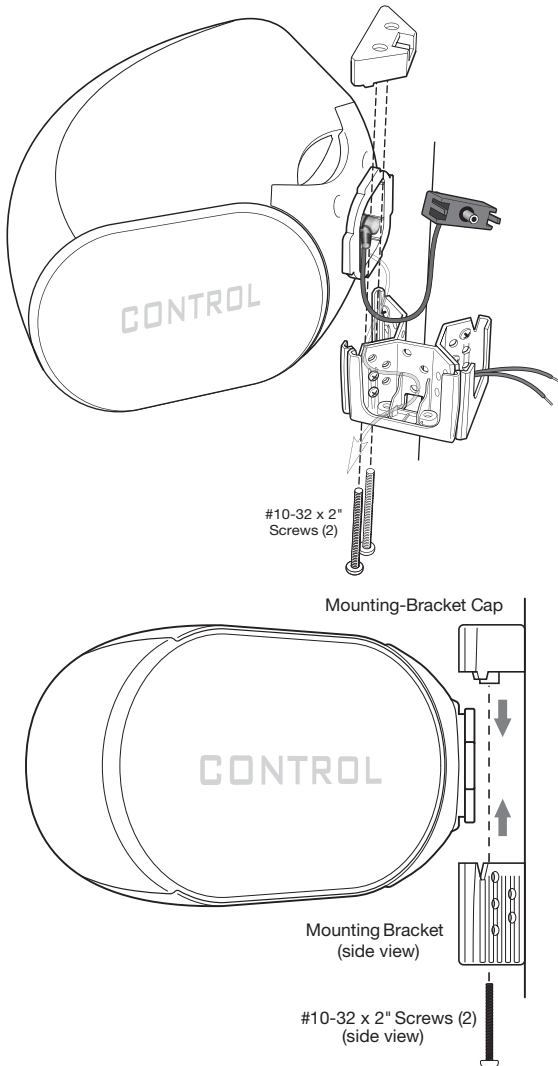
3. Remove the terminal assemblies from the rear of all speakers. The terminal assembly is removed by giving it a slight counterclockwise rotation. Use the transparent plastic strap to pull the assembly out, as shown.



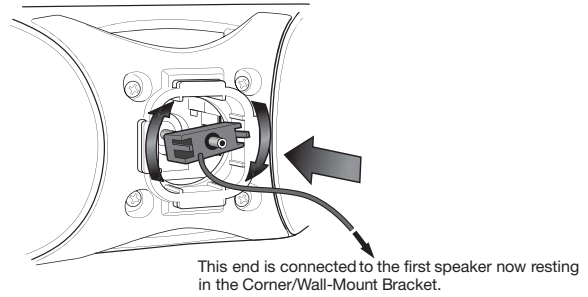
4. Connect the small end of the multiunit wiring adapter to the rear of speaker 1, as shown.



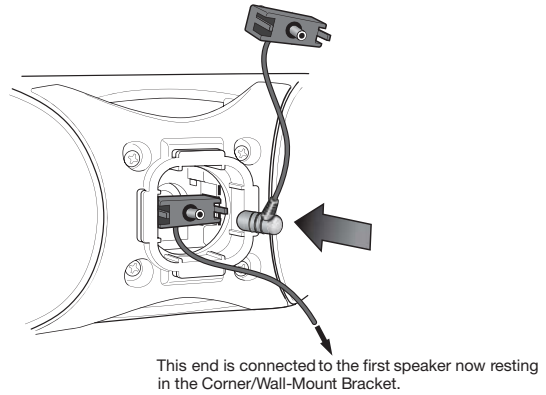
5. The mounting bracket is designed to trap the flange of the JBL Control NOW speaker by securing the mounting-bracket cap with two screws through the bottom of the mounting bracket. Run the loose end of the multiunit wiring adapter through the rear cable-management hole in the mounting bracket and rest the JBL Control NOW speaker's rear flange in the mounting bracket, as shown. This will support the weight of the speaker. Slide the mounting-bracket cap over the assembly. Secure the mounting-bracket cap by inserting two #10-32 x 2" screws (provided) in the bottom of the mounting bracket and tightening.



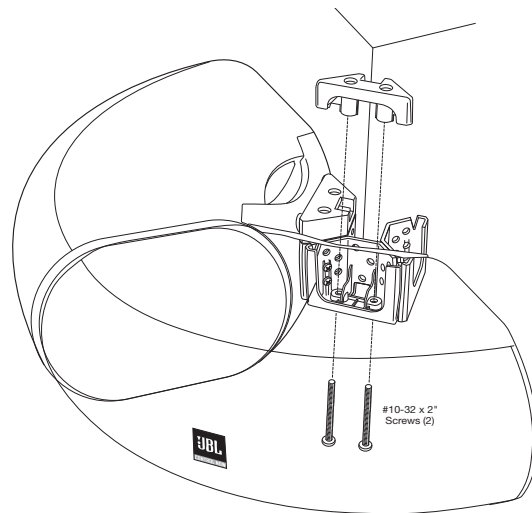
6. Place the large end of the multiunit wiring adapter that is already connected to speaker 1 into speaker 2 by sliding the multiunit wiring adapter into the rear of the speaker at a slight angle and rotate clockwise.



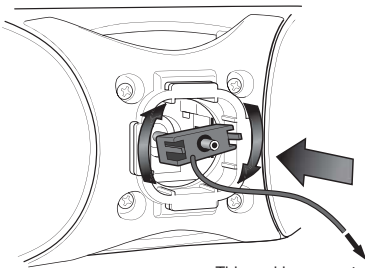
7. Connect the small end of an additional multiunit wiring adapter to the speaker rear as shown.



8. Rest the second JBL Control NOW speaker's rear flange in the mounting bracket, as shown, and complete the process. Secure the mounting bracket cap with two #10-32 x 2" screws through the bottom of the mounting bracket.

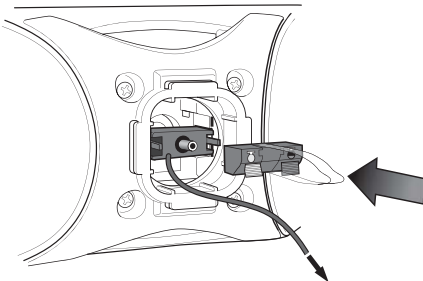


9. Place the large end of the multiunit wiring adapter that is already installed in speaker 2 into speaker 3 by sliding a multiunit wiring adapter into the rear of it at a slight angle and rotate clockwise.



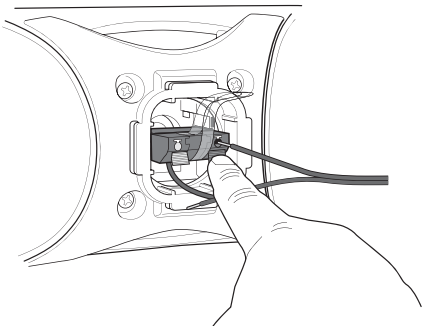
This end is connected to the second speaker currently resting in the Corner/Wall-Mount Bracket assembly.

10. Connect the terminal assembly to the back of the second multiunit wiring adapter. It will snap securely into place. The other end of the multiunit wiring adapter will already be connected to the other speaker already mounted in the corner/wall-mount bracket assembly.



This end is connected to the second speaker currently resting in the Corner/Wall-Mount-Bracket Assembly.

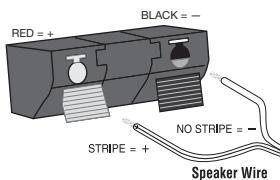
11. Connect the wires to the terminal assembly and place the speaker on the remaining bracket.



IMPORTANT: Make sure all equipment is turned off before making any connections. For speaker connections, use a high-quality speaker wire with polarity coding. The side of the wire with a ridge or other coding is usually considered positive polarity (i.e., +).

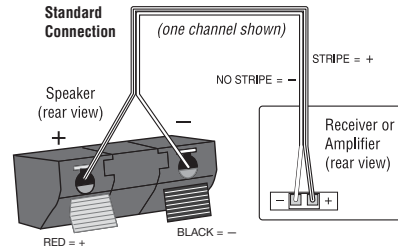
NOTE: If desired, consult your local JBL dealer about speaker wire and connection options.

1. Strip 1/4" of wire
2. Press and push connector
3. Insert bare end; release push connector



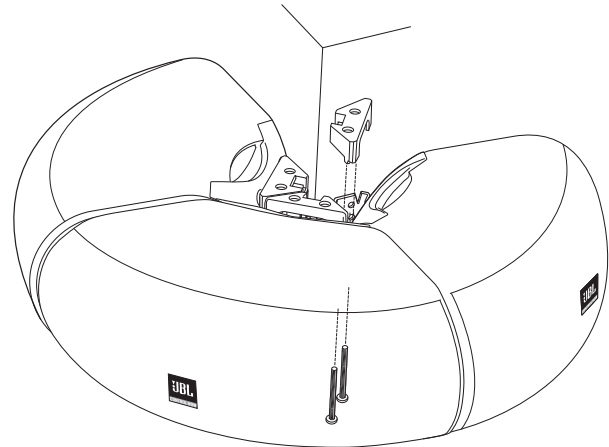
The speakers have coded terminals that accept a variety of wire connectors. The most common connection is shown in the diagram to the left. To ensure proper polarity, connect each + terminal on the back of the amplifier or receiver to the respective + (red) terminal on each speaker, as shown. Connect the - (black) terminals in a similar way. See the owner's guides that were included with your amplifier, receiver and television to confirm connection procedures.

IMPORTANT: Do not reverse polarities (i.e., + to - or - to +) when making connections. Doing so will cause poor imaging and diminished bass response.

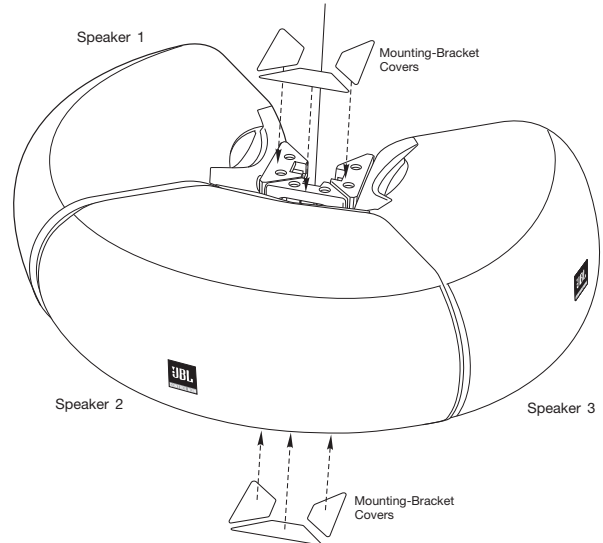


Wiring diagram shows polarity connections for one channel of a stereo or home theater system.

12. Rest the third JBL Control NOW speaker's rear flange in the mounting bracket as shown and complete the process. Secure the mounting-bracket cap with 2 screws through the bottom of the mounting bracket.



13. To orient the JBL logo into the correct position, pull the JBL logo slightly outward from the speaker grille and rotate. The JBL logo is held in place by a spring. Peel the adhesive cover off the mounting-bracket covers and attach to top and bottom of mounting-bracket assembly.

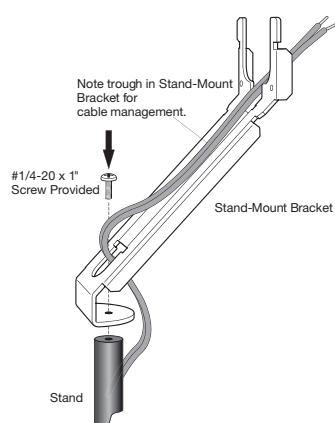


STAND-MOUNTING

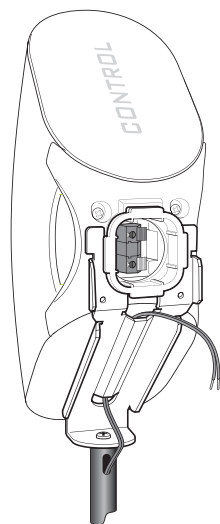
IMPORTANT SAFETY NOTE:

CAUTION

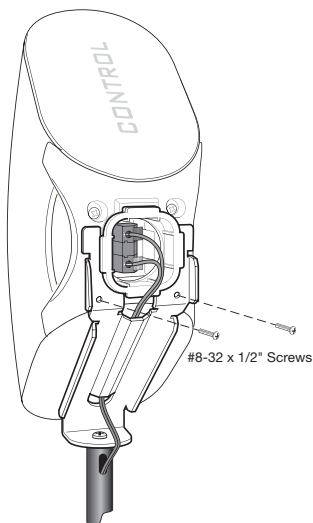
The supplied floor stand adapters facilitate installation with a variety of general-purpose floor stands available from many manufacturers. Since different stands will have different weight capacities and stability characteristics, it is the customer's responsibility to check with the stand manufacturer or dealer to ascertain whether that specific stand is capable of handling the weight and proportions of these loudspeakers in a safe and stable manner. JBL, Inc., disclaims any liability for the selection of suitable floor stands and/or correct compatibility between the selected stand and the supplied stand adapter.



1. Attach the stand-mounting bracket to the stand with the #1/4-20 x 1" screw as shown.
2. Run the wiring as shown.



3. Place the JBL Control NOW speaker on the stand-mount bracket and stand, as shown.

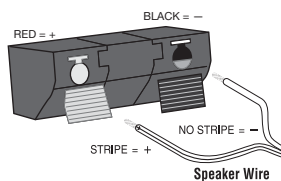


4. Use two #8-32 x 1/2" screws provided to secure the JBL Control NOW speaker to the stand.
5. Attach wires.

IMPORTANT: Make sure all equipment is turned off before making any connections. For speaker connections, use a high-quality speaker wire with polarity coding. The side of the wire with a ridge or other coding is usually considered positive polarity (i.e., +).

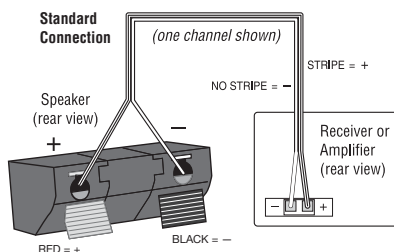
NOTE: If desired, consult your local JBL dealer about speaker wire and connection options.

1. Strip 1/4" of wire
2. Press and push connector
3. Insert bare end; release push connector

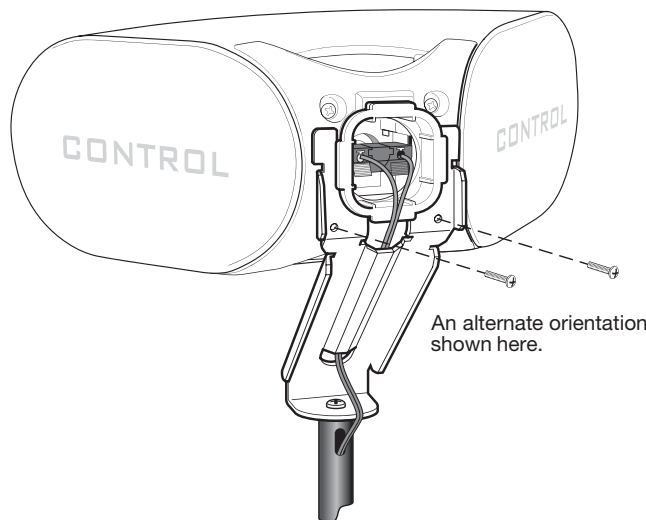


The speakers have coded terminals that accept a variety of wire connectors. The most common connection is shown in the diagram to the left. To ensure proper polarity, connect each + terminal on the back of the amplifier or receiver to the respective + (red) terminal on each speaker, as shown. Connect the - (black) terminals in a similar way. See the owner's guides that were included with your amplifier, receiver and television to confirm connection procedures.

IMPORTANT: Do not reverse polarities (i.e., + to - or - to +) when making connections. Doing so will cause poor imaging and diminished bass response.



Wiring diagram shows polarity connections for one channel of a stereo or home theater system.



FOUR-SPEAKER ARRAY USING THE OPTIONAL POLE-MOUNT BRACKET (PMB)

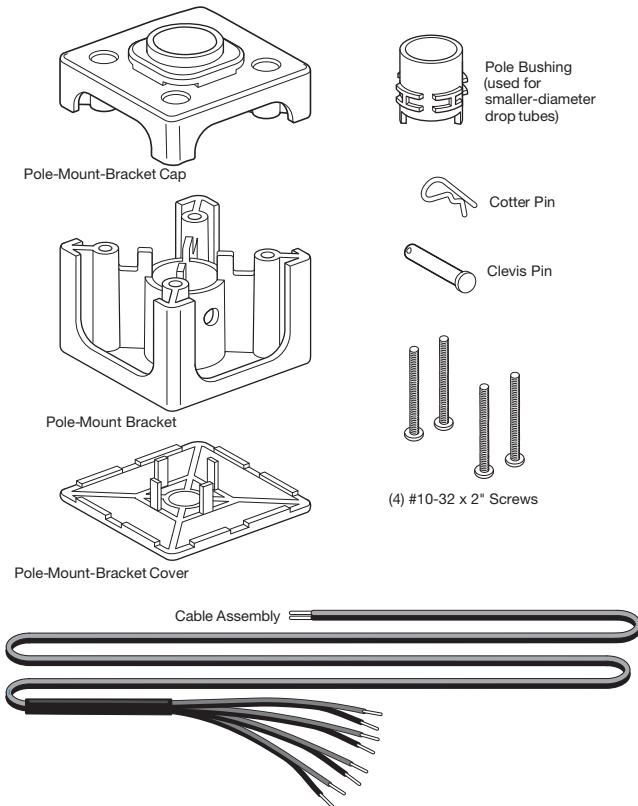
CAUTION

The JBL Control NOW PMB Pole-Mount Bracket facilitates installation of the JBL Control NOW and JBL Control NOW AW loudspeakers with a variety of general-purpose ceiling-fan-pole assemblies available from many manufacturers. Since different fan-pole assemblies will have different weight capacities, pole diameters and mounting systems, it is the customer's responsibility to check with the fan-pole-assembly manufacturer or dealer to determine whether that specific pole-mount assembly is capable of correctly and securely attaching to the PMB and handling the weight and proportions of these loudspeakers in a safe and stable manner. JBL, Inc., disclaims any liability for the selection of fan-pole assemblies and/or correct compatibility between the selected fan-pole assembly and the JBL Control NOW PMB.

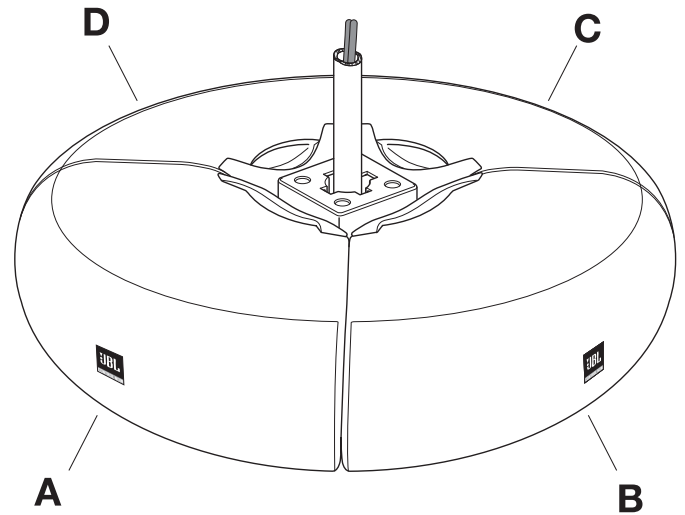
UNPACKING THE BRACKET AND CABLE KIT

Carefully unpack the bracket and cable assembly. If you suspect damage from transit, report it immediately to your dealer and/or delivery service. Keep the shipping carton and packing materials for future use. Open the package and verify the following contents:

Included:

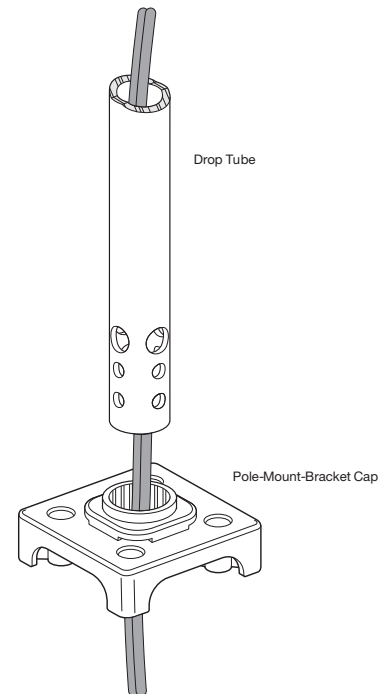


SPEAKER IDENTIFICATION CHART

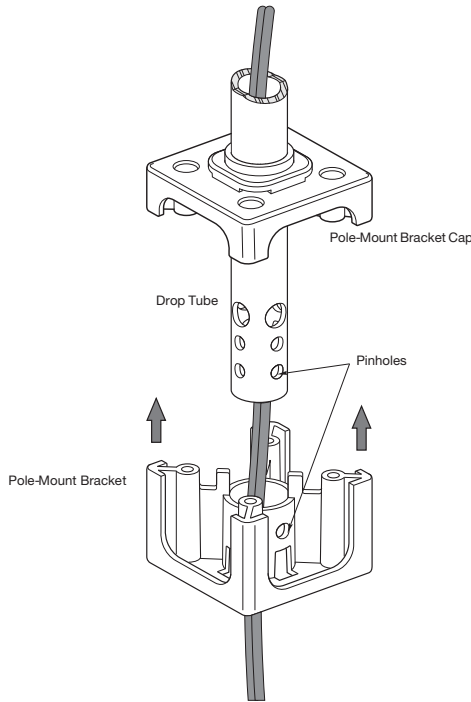


ATTACHING POLE TO POLE-MOUNT BRACKET (FOR LARGER-DIAMETER DROP TUBES)

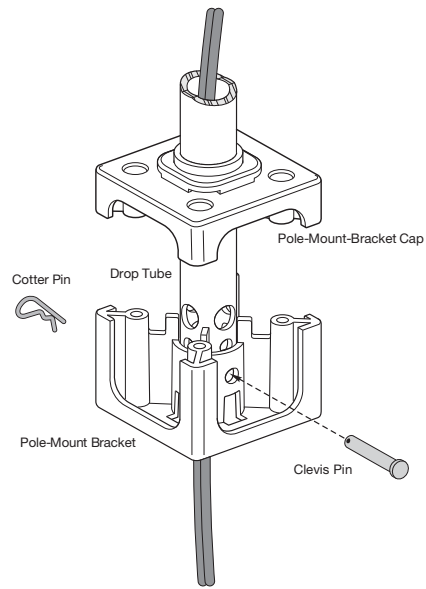
1. Run the appropriate wiring down through the drop tube. Slide the drop tube through the pole-mount-bracket cap.



2A. Slide the pole-mount bracket up onto the drop tube, aligning the pinholes on the bracket with those on the drop tube.



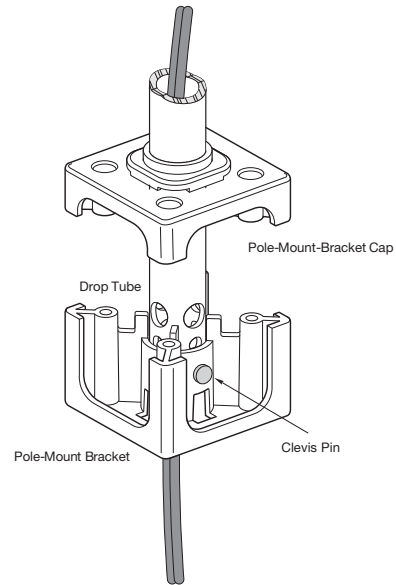
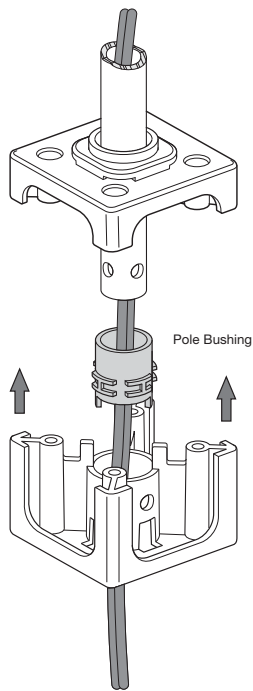
3. Slide the clevis pin through the aligned holes in the pole-mount bracket and drop tube. Secure the clevis pin by inserting the cotter pin through the hole in the clevis pin.



4. The pole-mount bracket can now hold the weight of the speakers.

(FOR SMALLER-DIAMETER DROP TUBES)

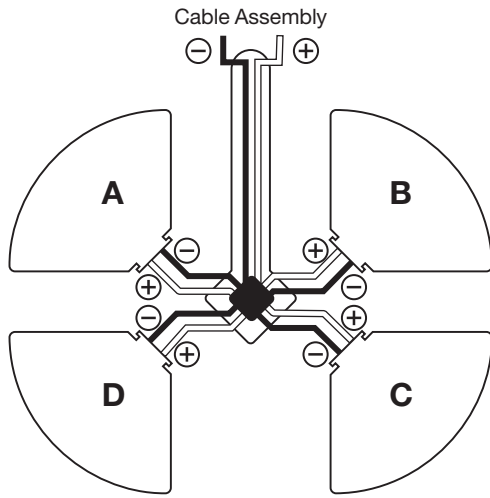
2B. When using a smaller drop tube, use the pole bushing when running the wiring down through pole-mount-bracket cap. This will help to eliminate pole wobble.



SPEAKER WIRING

There are four possible ways of wiring the JBL Control NOW speakers when using the pole-mount kit.

1. Use the cable assembly provided to wire the units for a single channel.

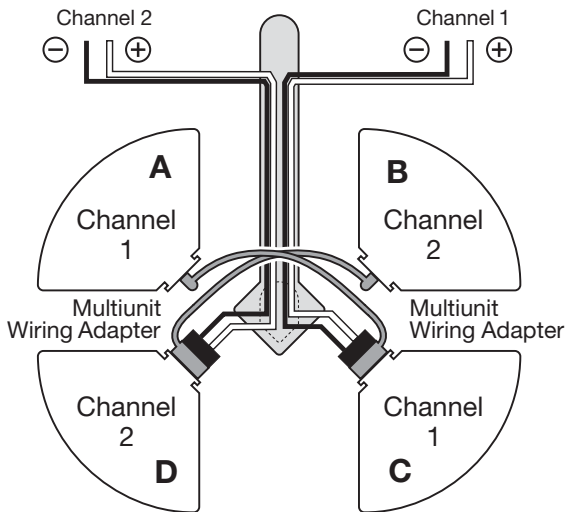


Single-channel-wiring diagram.

2. Use the multiunit wiring adapters to wire the units for two channels.

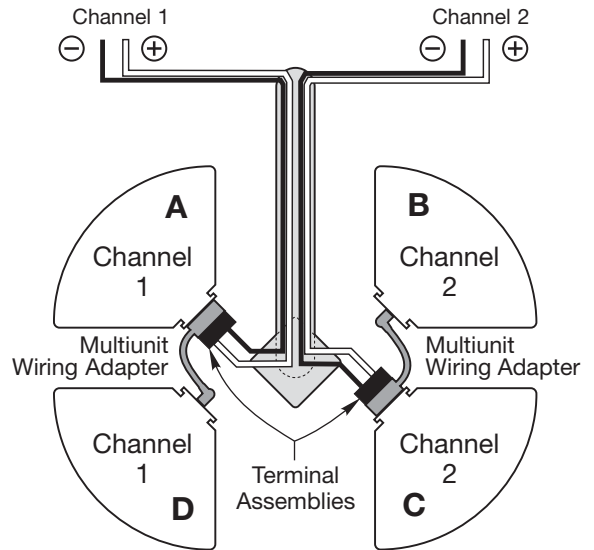
NOTE: There are two options for 2-channel wiring:

2A. Even sound distribution – Use this connection for even sound distribution through both channels. This may be more appropriate for larger rooms.



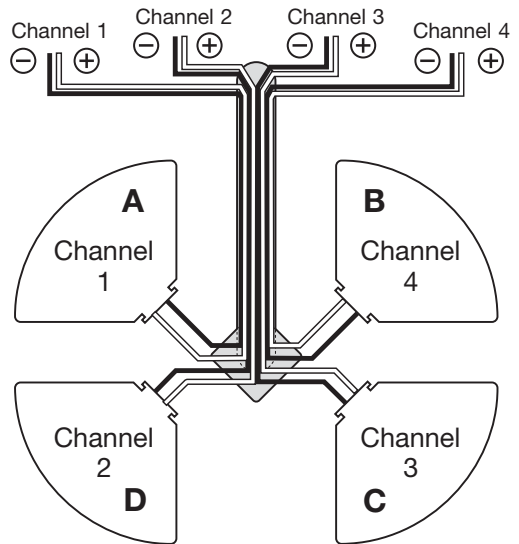
2-Channel-wiring diagram for even sound distribution.

2B. Stereo sound distribution – Use this connection for a smaller home theater/stereo environment.



2-Channel-wiring diagram for stereo sound distribution.

3. Use four sets of cables to wire the units for four channels.

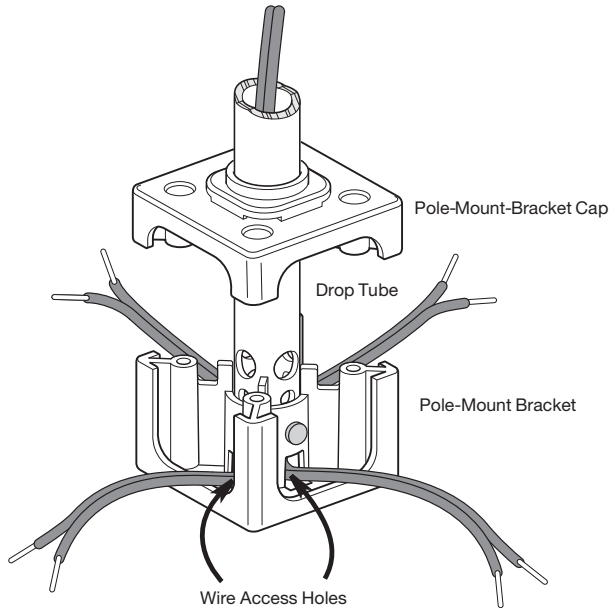


4-Channel-wiring diagram.

SINGLE-CHANNEL WIRING

1. Use the cable assembly provided. Run the cable assembly down the drop tube; run the four sets of paired wires out through the wire access holes, as shown.

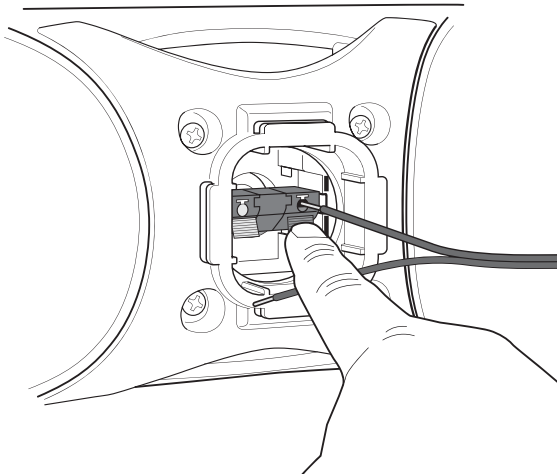
NOTE: This procedure is applicable for both large- and small-diameter drop tubes. A large-diameter drop tube is shown here.



Single-channel wiring.

NOTE: This procedure is applicable for both large- and small-diameter drop tubes. A large-diameter drop tube is shown here.

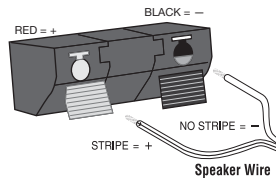
2. Connect the wires to the terminal assembly of each speaker as shown. Place the speaker on the mounting bracket, as shown in step 6 of the mounting-bracket-installation procedures. Return to the installation procedures and continue.



IMPORTANT: Make sure all equipment is turned off before making any connections. For speaker connections, use a high-quality speaker wire with polarity coding. The side of the wire with a ridge or other coding is usually considered positive polarity (i.e., +).

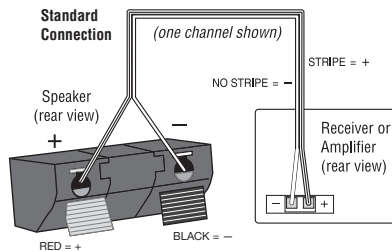
NOTE: If desired, consult your local JBL dealer about speaker wire and connection options.

1. Strip 1/4" of wire
2. Press and push connector
3. Insert bare end; release push connector



The speakers have coded terminals that accept a variety of wire connectors. The most common connection is shown in the diagram to the left. To ensure proper polarity, connect each + terminal on the back of the amplifier or receiver to the respective + (red) terminal on each speaker, as shown. Connect the - (black) terminals in a similar way. See the owner's guides that were included with your amplifier, receiver and television to confirm connection procedures.

IMPORTANT: Do not reverse polarities (i.e., + to - or - to +) when making connections. Doing so will cause poor imaging and diminished bass response.

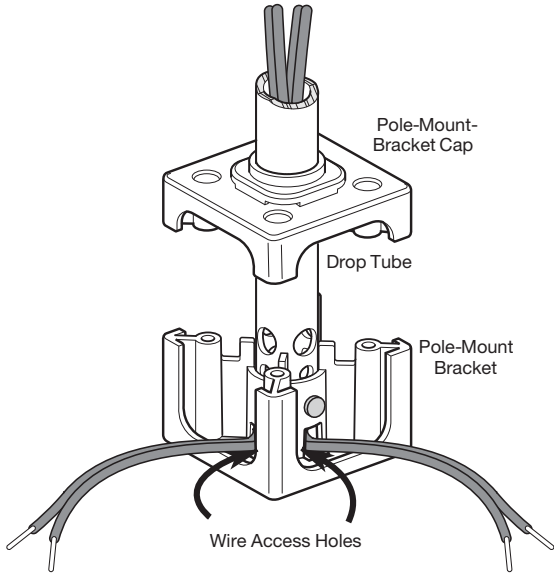


Wiring diagram shows polarity connections for one channel of a stereo or home theater system.

2-CHANNEL WIRING FOR EVEN SOUND DISTRIBUTION

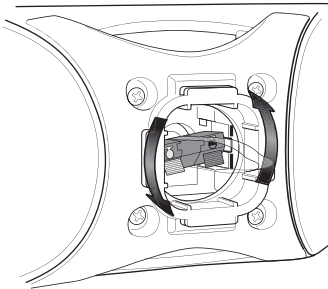
1. Use the even sound distribution connection for even sound distribution through both channels. Run the sets of paired wires out two wire access holes through the pole-mount bracket, as shown.

NOTE: This procedure is applicable for both large- and small-diameter drop tubes. A large-diameter drop tube is shown here.

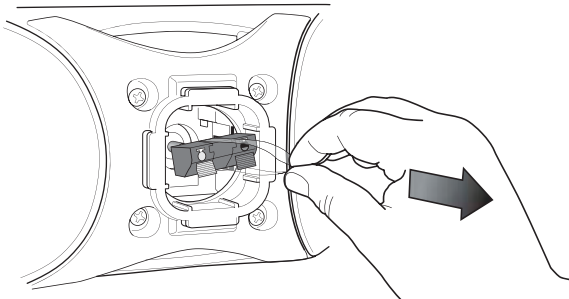


2-Channel-wiring for even sound distribution.

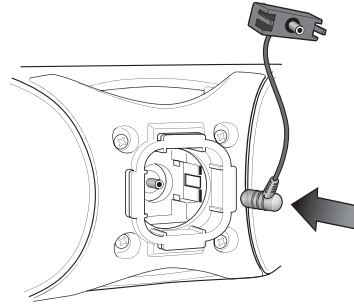
2. Remove the terminal assemblies from the rear of all speakers. The terminal assembly is removed by rotating it slightly counterclockwise, as shown.



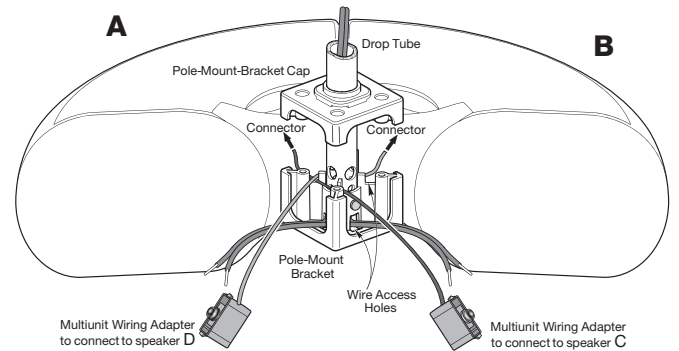
Use the transparent plastic strap to pull the terminal assembly out, as shown.



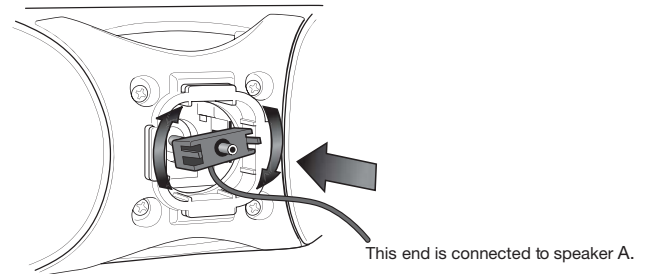
3. Connect the small end of the multiunit wiring adapter to the rear of speakers A and B, as shown.



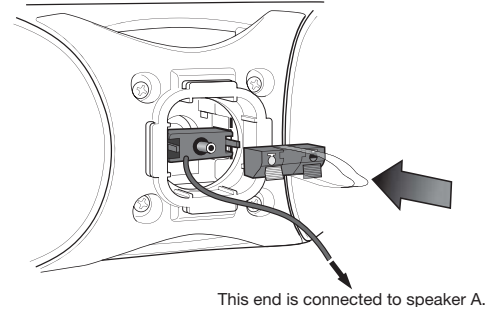
4. Place speakers A and B with connectors attached on the pole-mount bracket, as shown. Run the wiring for the multiunit wiring adapter through the wire access holes, as shown.



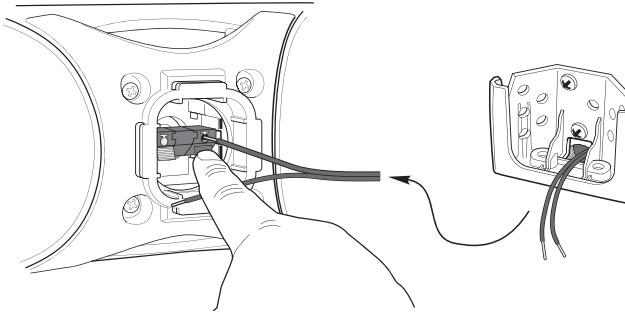
5. Slide the large end of the multiunit wiring adapter that is already attached to speaker A into the rear of speaker C at a slight angle and rotate clockwise, as shown.



6. Connect the terminal assembly to the back of the multiunit wiring adapter, as shown. It will snap securely into place.



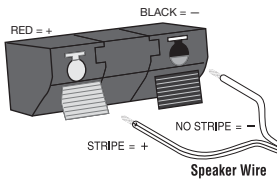
7. Connect the wires to the terminal assembly and place the speaker on the pole-mount bracket. Repeat this process with speaker D. Return to the installation procedures and continue.



IMPORTANT: Make sure all equipment is turned off before making any connections. For speaker connections, use a high-quality speaker wire with polarity coding. The side of the wire with a ridge or other coding is usually considered positive polarity (i.e., +).

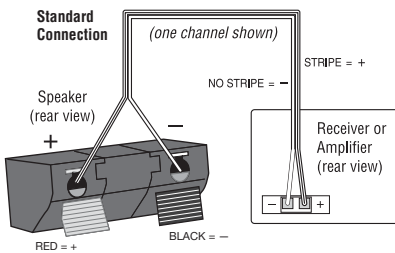
NOTE: If desired, consult your local JBL dealer about speaker wire and connection options.

1. Strip 1/4" of wire
2. Press and push connector
3. Insert bare end; release push connector



The speakers have coded terminals that accept a variety of wire connectors. The most common connection is shown in the diagram to the left. To ensure proper polarity, connect each + terminal on the back of the amplifier or receiver to the respective + (red) terminal on each speaker, as shown. Connect the - (black) terminals in a similar way. See the owner's guides that were included with your amplifier, receiver and television to confirm connection procedures.

IMPORTANT: Do not reverse polarities (i.e., + to - or - to +) when making connections. Doing so will cause poor imaging and diminished bass response.

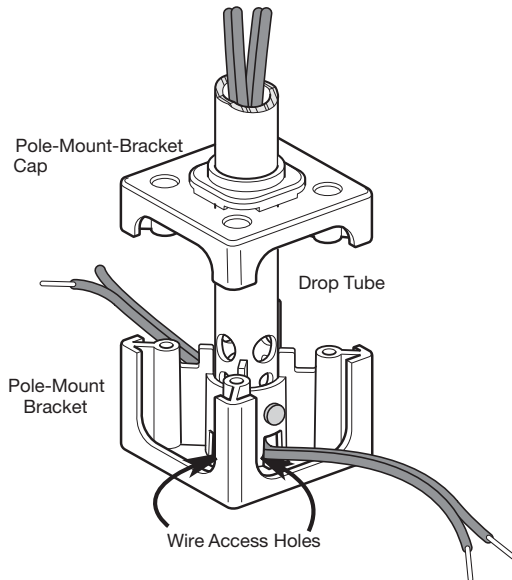


Wiring diagram shows polarity connections for one channel of a stereo or home theater system.

2-CHANNEL STEREO WIRING

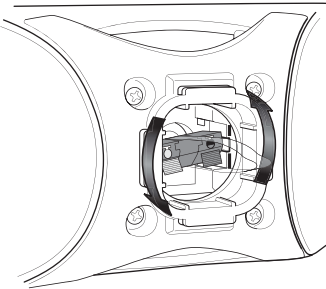
1. Use the stereo sound-distribution connection for a smaller home theater/stereo environment. Run the sets of paired wires out two opposite wire access holes through the pole-mount bracket, as shown.

NOTE: This procedure is applicable for both large- and small-diameter drop tubes. A large-diameter drop tube is shown here.

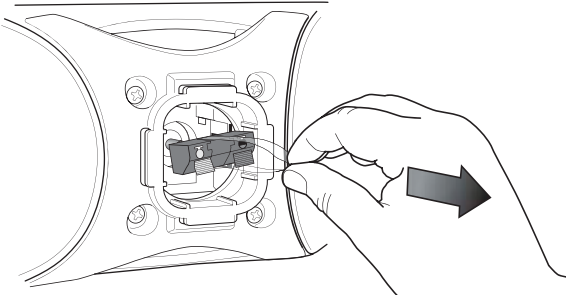


2-Channel-wiring for stereo sound distribution.

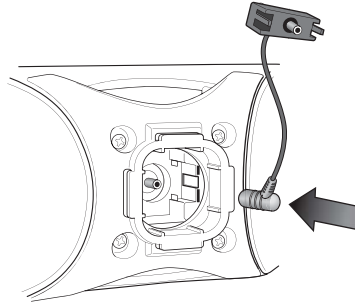
2. Remove the terminal assemblies from the rear of all four speakers. The terminal assembly is removed by rotating it slightly counterclockwise, as shown.



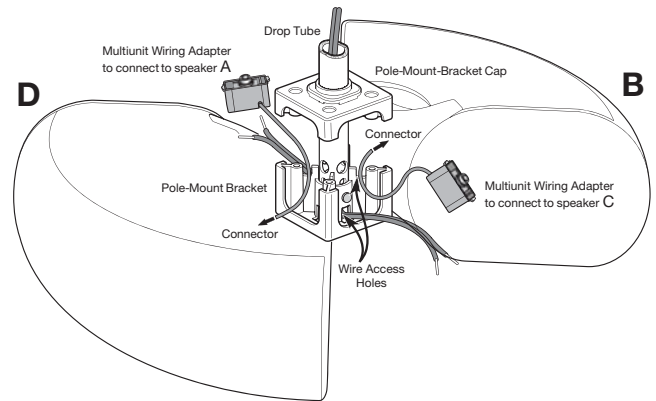
Use the transparent plastic strap to pull the terminal assembly out, as shown.



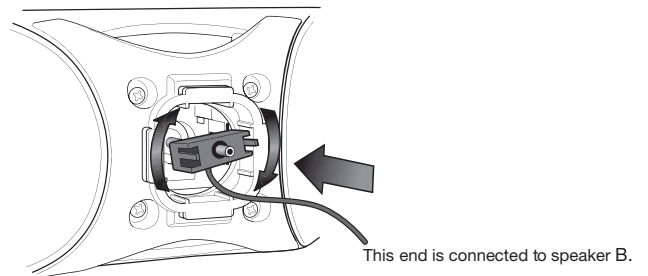
3. Connect the small end of the multiunit wiring adapter to the rear of speakers D and B, as shown.



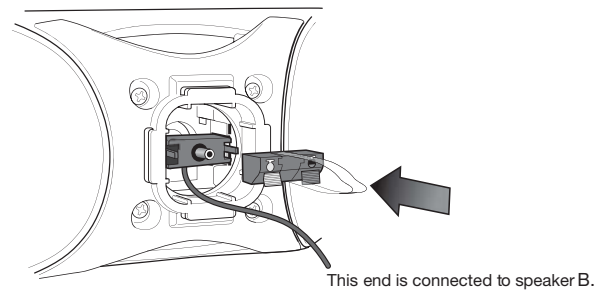
4. Place speakers D and B with connectors attached on the pole-mount bracket, as shown. Run the wiring for the multiunit wiring adapter through the wire access holes, as shown.



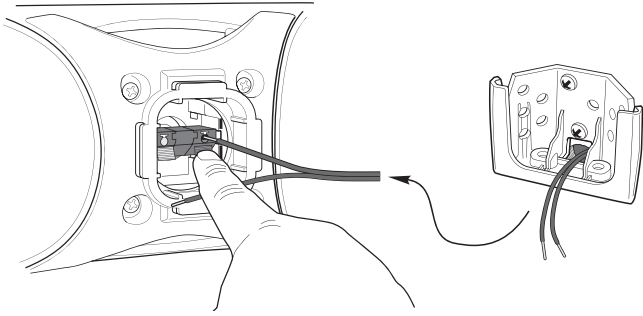
5. Slide the large end of the multiunit wiring adapter that is already attached to speaker B into the rear of speaker C at a slight angle and rotate clockwise, as shown.



6. Connect the terminal assembly to the back of the multiunit wiring adapter. It will snap securely into place.



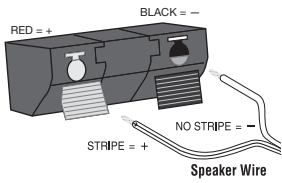
7. Connect the wires to the terminal assembly and place the speaker on the pole-mount bracket. Repeat this process with speaker A. Return to the installation procedures and continue.



IMPORTANT: Make sure all equipment is turned off before making any connections. For speaker connections, use a high-quality speaker wire with polarity coding. The side of the wire with a ridge or other coding is usually considered positive polarity (i.e., +).

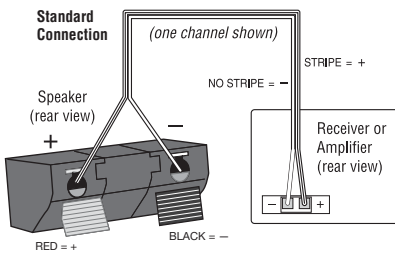
NOTE: If desired, consult your local JBL dealer about speaker wire and connection options.

1. Strip 1/4" of wire
2. Press and push connector
3. Insert bare end; release push connector



The speakers have coded terminals that accept a variety of wire connectors. The most common connection is shown in the diagram to the left. To ensure proper polarity, connect each + terminal on the back of the amplifier or receiver to the respective + (red) terminal on each speaker, as shown. Connect the - (black) terminals in a similar way. See the owner's guides that were included with your amplifier, receiver and television to confirm connection procedures.

IMPORTANT: Do not reverse polarities (i.e., + to - or - to +) when making connections. Doing so will cause poor imaging and diminished bass response.

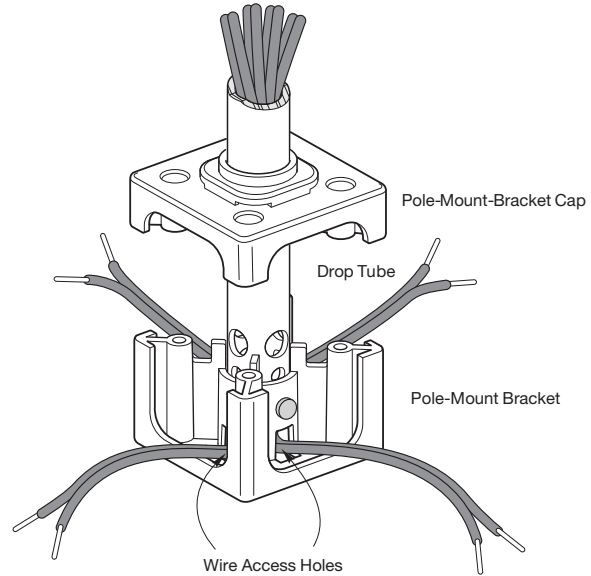


Wiring diagram shows polarity connections for one channel of a stereo or home theater system.

4-CHANNEL WIRING

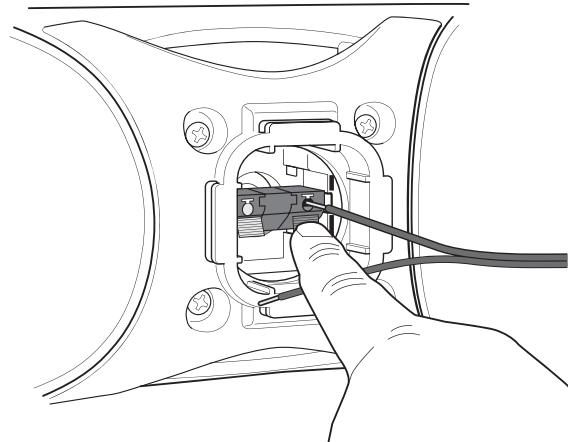
1. Run the four sets of paired wires out the wire access holes, as shown.

NOTE: This procedure is applicable for both large- and small-diameter drop tubes. A large-diameter drop tube is shown here.



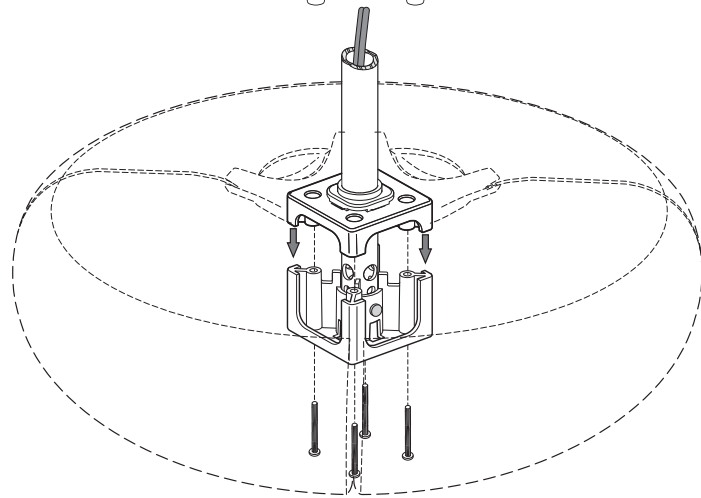
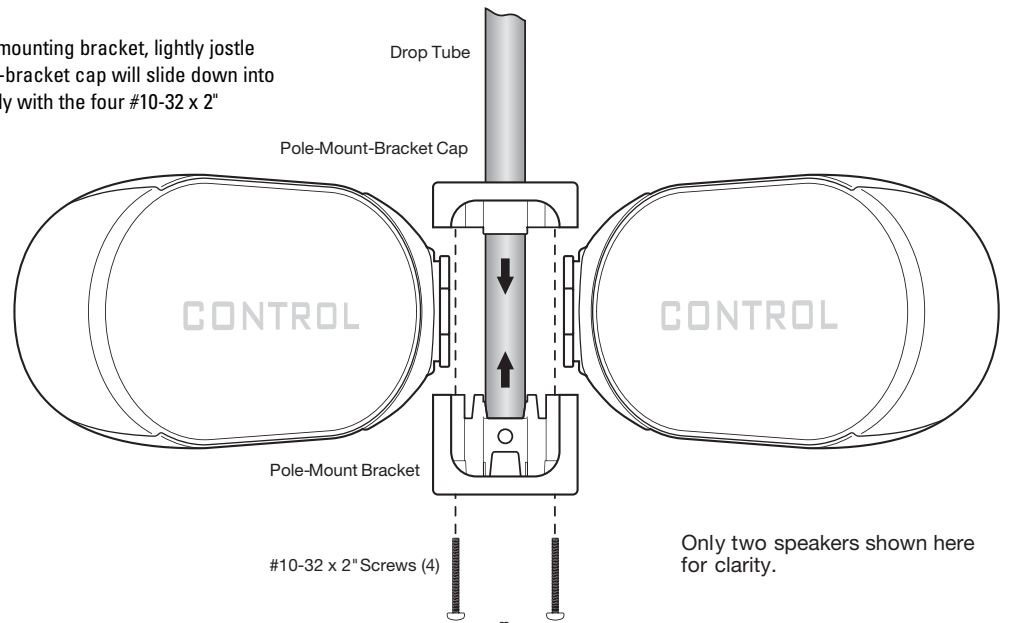
4-Channel wiring.

2. Connect the wires to the terminal assembly of each speaker, as shown, and place the speaker on the mounting bracket, as shown in step 6 of the mounting-bracket-installation procedures. Return to the installation procedures and continue.

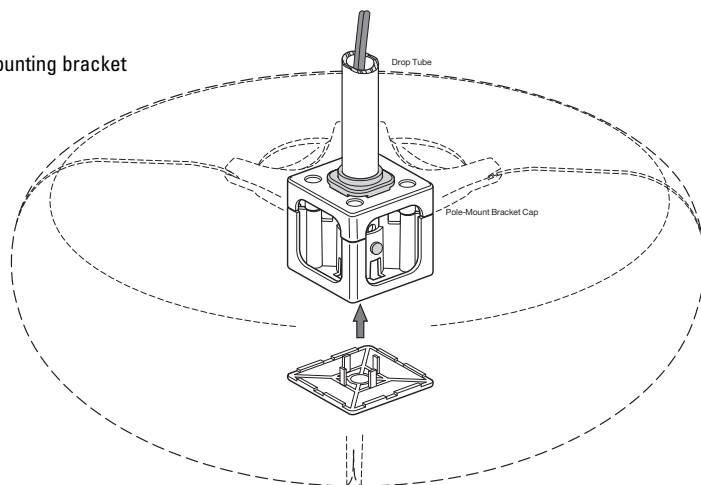


SPEAKER MOUNTING

After carefully placing all four speakers in the mounting bracket, lightly jostle the speakers into place so that the pole-mount-bracket cap will slide down into place. Tighten the pole-mount-bracket assembly with the four #10-32 x 2" screws provided.



Place the pole-mount-bracket cover over the bottom visible mounting bracket by snapping it into place.



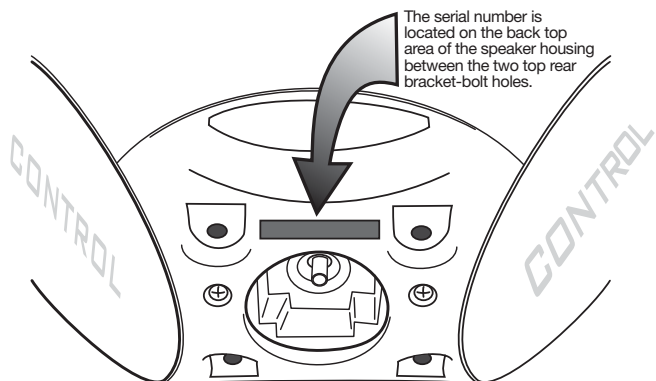
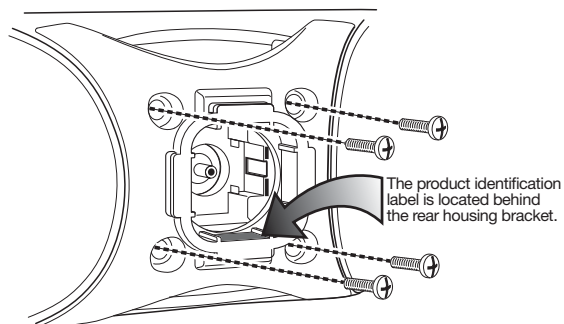
MAINTENANCE AND SERVICE

The enclosure may be cleaned using a soft cloth to remove fingerprints or to wipe off dust.

All wiring connections should be inspected and cleaned or remade periodically. The frequency of maintenance depends on the metals involved in the connections, atmospheric conditions and other factors, but once per year is the minimum.

If a problem occurs, make sure that all connections are properly made and clean. If a problem exists in one loudspeaker, reverse the connection wires to the left and right system. If the problem remains in the same speaker, then the fault is with the loudspeaker. If the problem appears in the opposite speaker, the cause is in another component or cable. In the event that your speaker ever needs service, contact your local JBL dealer or distributor or visit www.jbl.com for a service center near you.

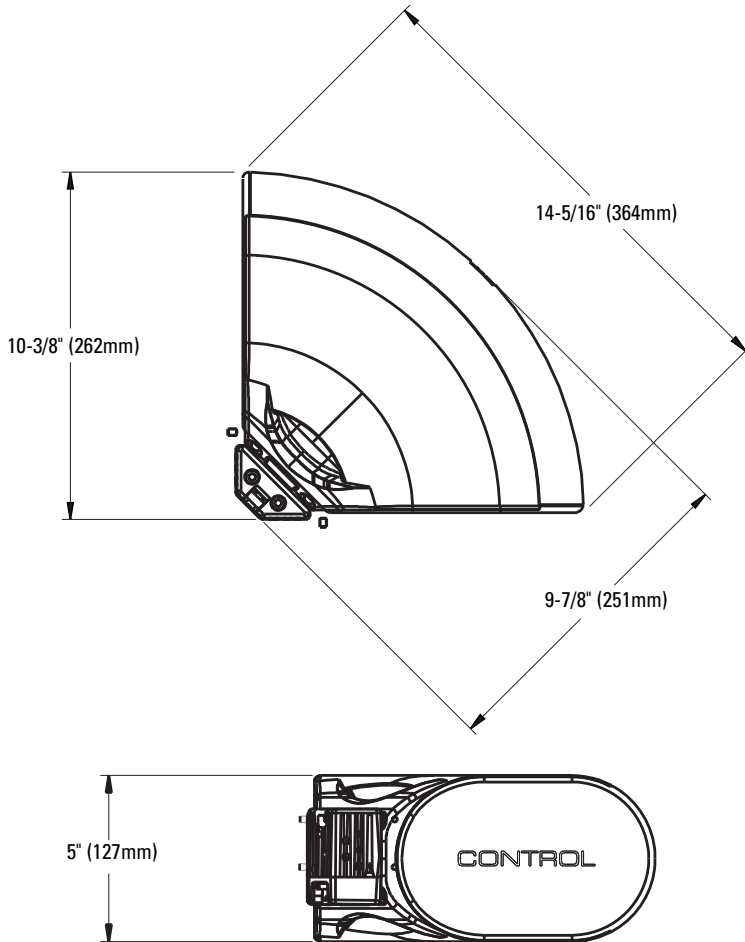
NOTE: The serial number is located on the rear of the speaker housing. To view it, remove the four screws on the rear assembly as shown.



SPECIFICATIONS

JBL CONTROL NOW™ JBL CONTROL NOW™ AW

| | |
|--|---|
| Frequency Response (-6dB) | 80Hz – 30kHz |
| Max. Recommended Amplifier Power* | 150W |
| Power Handling (Continuous/Peak) | 50W/300W |
| Sensitivity (2.83V/1m) | 90dB |
| Nominal Impedance | 8 Ohms |
| Crossover Frequencies | 2000Hz – 18dB/octave; woofer 36dB/octave tweeter; |
| Low-Frequency Transducers | Dual 4" (100mm) PolyPlas™, shielded |
| High-Frequency Transducer | 3/4" (19mm) Titanium-laminate dome, shielded; waveguide |
| Weight per Speaker | 6.6 lb (3kg) |



* The maximum recommended amplifier power rating will ensure proper system headroom to allow for occasional peaks. We do not recommend sustained operation at these maximum power levels.

Declaration of Conformity

We, Harman Consumer Group, Inc.
 2, route de Tours
 72500 Château du Loir
 France

declare in own responsibility that the products described
 in this owner's manual are in compliance with technical
 standards:
 EN 61000-6-3:2001
 EN 61000-6-1:2001

Laurent Rault
 Harman Consumer Group, Inc.
 Château du Loir, France 4/08

Features, specifications and appearance are subject to change without notice.

JBL and Bi-Radial are trademarks of Harman International Industries, Incorporated, registered in the United States and/or other countries. JBL Control NOW, PolyPlas and Pro Sound Comes Home are trademarks of Harman International Industries, Incorporated.



PRO SOUND COMES HOME™

Harman Consumer Group, Inc., 250 Crossways Park Drive, Woodbury, NY 11797 USA

8500 Balboa Boulevard, Northridge, CA 91329 USA

2, route de Tours, 72500 Château du Loir, France

www.jbl.com

© 2008 Harman International Industries, Incorporated. All rights reserved.

Part No. 406-000-05609-E

H A Harman International Company